

## AC Isolated Switch

» *Always for your safety*





# COMPANY

## >>> INTRODUCTION



Zhejiang ETEK Electrical Technology Co.,Ltd. was founded on January of 2011, which has more than 200 employees now. It is a professional manufacturing company engaging in R & D, production and sale of high and low voltage electrical products, such as Terminal distribution electrical appliances, Industrial distribution electrical appliances, Industrial control electrical appliances, DC systems distribution appliances, etc. It possesses three major manufacturing departments and one import & export trading company. The three manufacturing departments are Terminal distribution electrical appliances manufacturing department, Industrial distribution electrical appliances manufacturing department and Industrial control electrical appliances manufacturing department.

The series of products manufactured by the company are mainly sold to international market. All the products produced are in strictly accordance with international IEC/EN standards and China's GB standards. Most of these product have gained TUV and Intertek issued CCC,CE,TUV,SEMKO,EAC,SAA,INMETRO,ISO9001-2008 certificates and CB test reports. The products are sold to more than 50 countries and regions throughout the world, such as UK, France, Australia, Russia, Ukraine, Turkey, Brazil and so on. The quality of the products has been widely praised by the majority of users.



## WORKSHOPS



## MAIN PRODUCTS CLASSIFICATION CHART

Manufacturing department of ETEK Electric	Terminal Power Distribution	MCB	
		RCCB & RCBO	
		Isolation Switch	
		Accessories of Breakers	
		Modular Contactor	
		Modular Indicator & Socket	
		Other Modular Products	
	Industrial Power Distribution	MCCB	
		ACB	
		MPCB	
		ATS	
		Isolator	
	Industrial Control	Contactor	
		Thermal Relay	
		Electromagnetic Starter	
		Push Button Switch	
		LED Indicator & Voltage Meter	

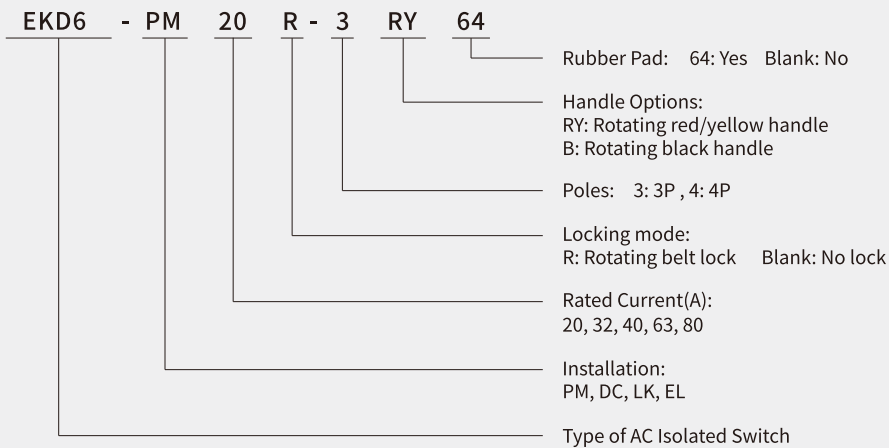


### Features

EKD6 isolated switch is widely used in industrial control machinery and various electrical appliances, and can effectively solve the problems of emergency disconnection, safety disconnection, machine control, motor control and so on.

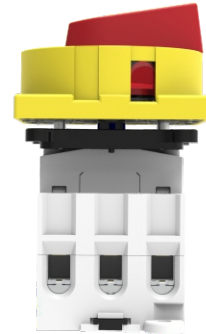
- With alloy contacts, electrical special silver long life and high reliability.
- Small size, space-saving installation.
- Construct a protective finger to make the operation safe.
- With a variety of installation, ease of application of various purpose(panel mount, rail mount, sealed switch box type).
- IP66 degree of protection

### Type And Meaning





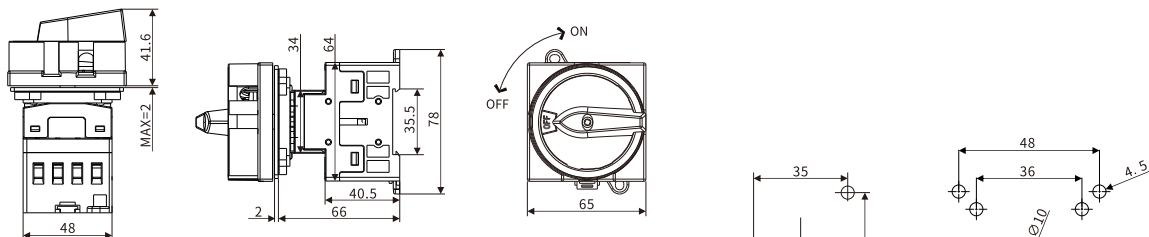
Out of box operation  
Din rail installation



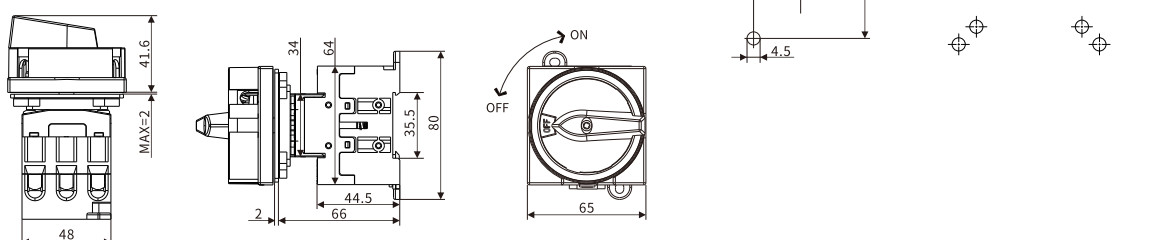
Current		20A	32A	40A	63A	80A
Type		EKD6-PM20R-4RY64	EKD6-PM32R-4RY64	EKD6-PM40R-4RY64	EKD6-PM63R-3RY64	EKD6-PM80R-3RY64
Rated current		20A	32A	40A	63A	80A
Rated operating current AC-23A		16A	25A	32A	45A	45A
Rated operating current AC-3		12A	23A	30A	37A	37A
Rated power control AC-23A	240V	4KW	7.5KW	9KW	15KW	15KW
	440V	7.5KW	12.5KW	16KW	22KW	22KW
Rated power control AC-3	240V	3KW	5.5KW	7.5KW	11KW	11KW
	440V	5.5KW	11KW	15KW	18.5KW	18.5KW
UL-CSA Motor load	240V	3KW	5KW	5KW	10KW	10KW
	440V	7.5KW	10KW	10KW	20KW	20KW
Rated short-time withstand current		250A	400A	500A	600A	850A
Connect wires		0.5-10MM <sup>2</sup>			1-16MM <sup>2</sup>	
Screw torque		0.8-1.7N·m			1.5-2N·m	
Rated insulation voltage		690V				

### Reference Dimension

4Poles 20-40A

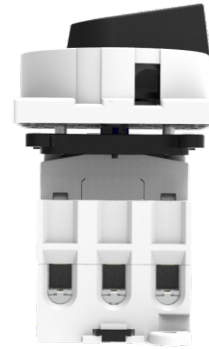


3Poles 63-80A





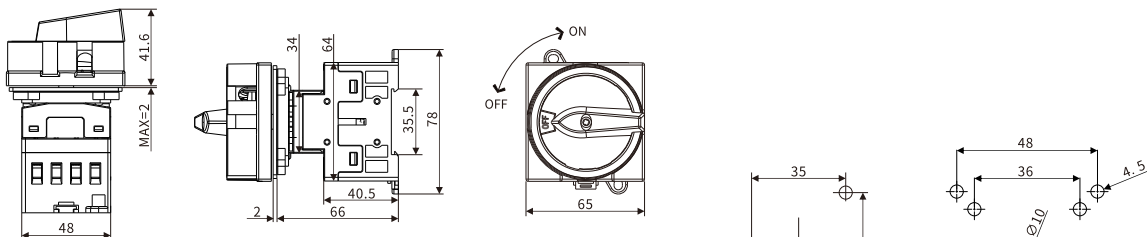
Out of box operation  
Din rail installation



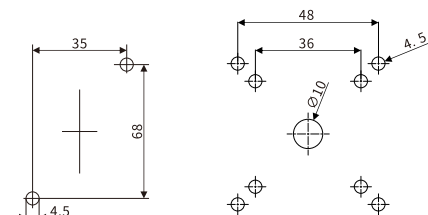
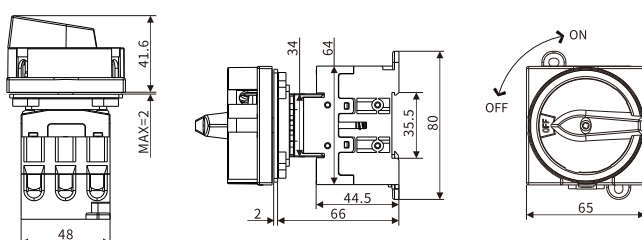
Current		20A	32A	40A	63A	80A
Type		EKD6-PM20R-4B64	EKD6-PM32R-4B64	EKD6-PM40R-4B64	EKD6-PM63R-3B64	EKD6-PM80R-3B64
Rated current		20A	32A	40A	63A	80A
Rated operating current AC-23A		16A	25A	32A	45A	45A
Rated operating current AC-3		12A	23A	30A	37A	37A
Rated power control AC-23A	240V	4KW	7.5KW	9KW	15KW	15KW
	440V	7.5KW	12.5KW	16KW	22KW	22KW
Rated power control AC-3	240V	3KW	5.5KW	7.5KW	11KW	11KW
	440V	5.5KW	11KW	15KW	18.5KW	18.5KW
UL-CSA Motor load	240V	3KW	5KW	5KW	10KW	10KW
	440V	7.5KW	10KW	10KW	20KW	20KW
Rated short-time withstand current		250A	400A	500A	600A	850A
Connect wires		0.5-10MM <sup>2</sup>			1-16MM <sup>2</sup>	
Screw torque		0.8-1.7N·m			1.5-2N·m	
Rated insulation voltage		690V				

### Reference Dimension

4Poles 20-40A



3Poles 63-80A





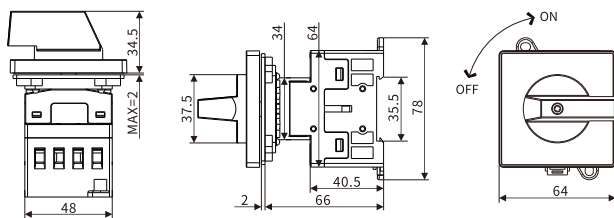
Out of box operation  
Din rail installation



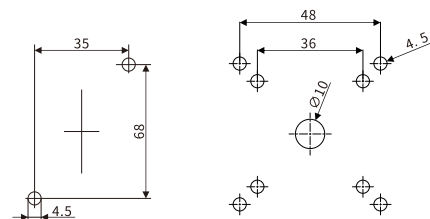
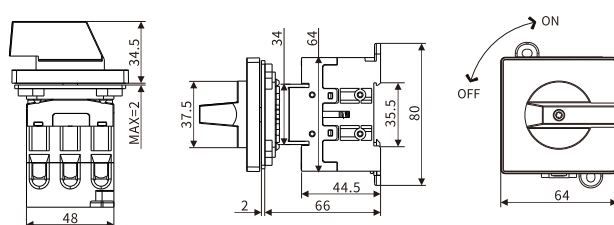
Current		20A	32A	40A	63A	80A
Type		EKD6-PM20-4	EKD6-PM32-4	EKD6-PM40-4	EKD6-PM63-3	EKD6-PM80-3
Rated current		20A	32A	40A	63A	80A
Rated operating current AC-23A		16A	25A	32A	45A	45A
Rated operating current AC-3		12A	23A	30A	37A	37A
Rated power control AC-23A	240V	4KW	7.5KW	9KW	15KW	15KW
	440V	7.5KW	12.5KW	16KW	22KW	22KW
Rated power control AC-3	240V	3KW	5.5KW	7.5KW	11KW	11KW
	440V	5.5KW	11KW	15KW	18.5KW	18.5KW
UL-CSA Motor load	240V	3KW	5KW	5KW	10KW	10KW
	440V	7.5KW	10KW	10KW	20KW	20KW
Rated short-time withstand current		250A	400A	500A	600A	850A
Connect wires		0.5-10MM <sup>2</sup>			1-16MM <sup>2</sup>	
Screw torque		0.8-1.7N·m			1.5-2N·m	
Rated insulation voltage		690V				

### Reference Dimension

4Poles 20-40A



3Poles 63-80A



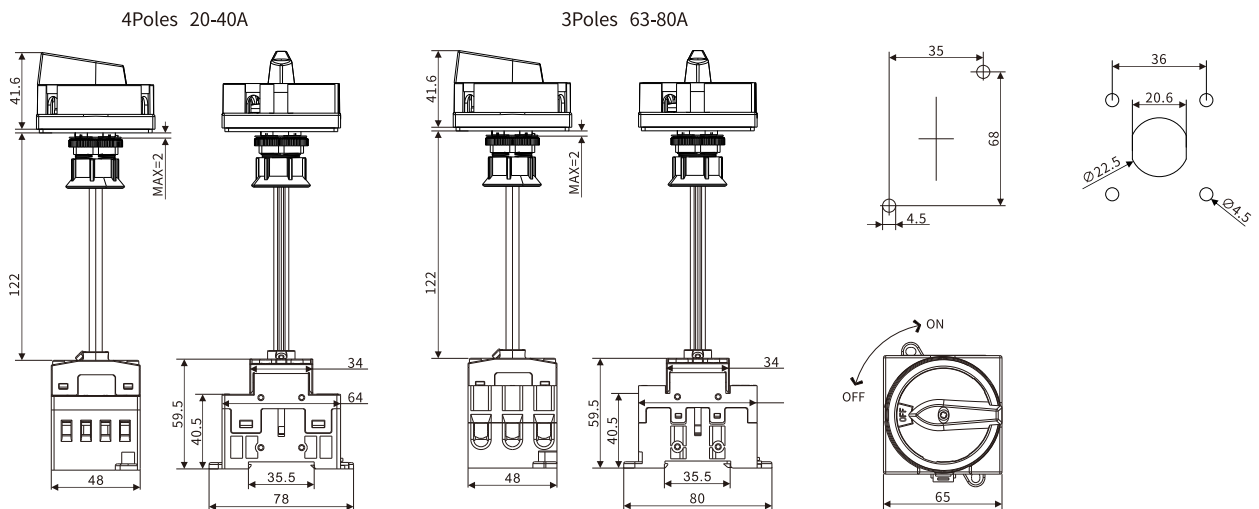


Out of box operation  
Din rail installation



Current		20A	32A	40A	63A	80A
Type		EKD6-DC20R-4RY64	EKD6-DC32R-4RY64	EKD6-DC40R-4RY64	EKD6-DC63R-3RY64	EKD6-DC80R-3RY64
Rated current		20A	32A	40A	63A	80A
Rated operating current AC-23A		16A	25A	32A	45A	45A
Rated operating current AC-3		12A	23A	30A	37A	37A
Rated power control AC-23A	240V	4KW	7.5KW	9KW	15KW	15KW
	440V	7.5KW	12.5KW	16KW	22KW	22KW
Rated power control AC-3	240V	3KW	5.5KW	7.5KW	11KW	11KW
	440V	5.5KW	11KW	15KW	18.5KW	18.5KW
UL-CSA Motor load	240V	3KW	5KW	5KW	10KW	10KW
	440V	7.5KW	10KW	10KW	20KW	20KW
Rated short-time withstand current		250A	400A	500A	600A	850A
Connect wires		0.5-10MM <sup>2</sup>			1-16MM <sup>2</sup>	
Screw torque		0.8-1.7N·m			1.5-2N·m	
Rated insulation voltage		690V				

### Reference Dimension





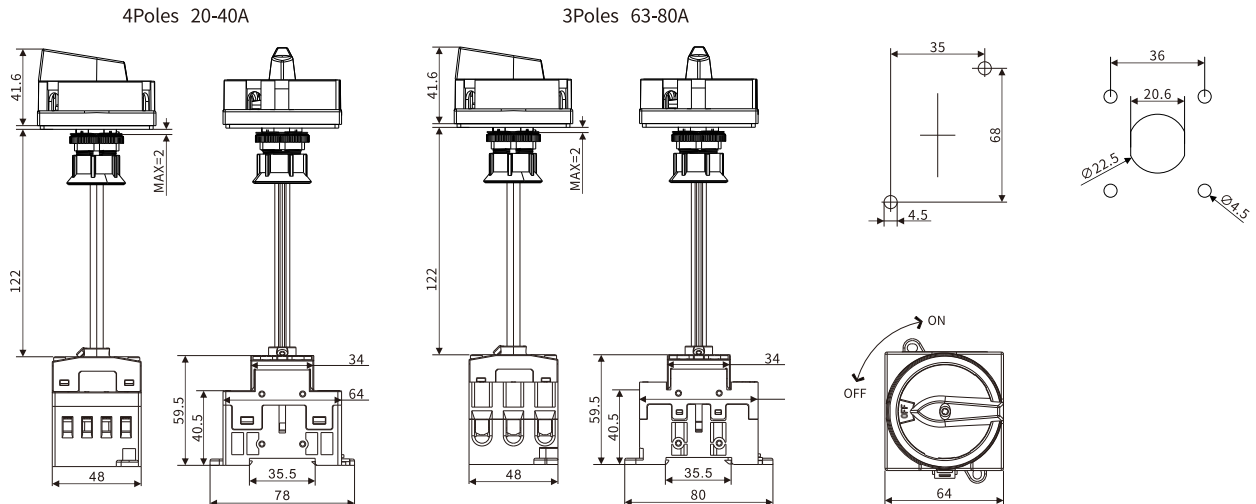


Out of box operation  
Din rail installation



Current		20A	32A	40A	63A	80A
Type		EKD6-DC20R-4B64	EKD6-DC32R-4B64	EKD6-DC40R-4B64	EKD6-DC63R-3B64	EKD6-DC80R-3B64
Rated current		20A	32A	40A	63A	80A
Rated operating current AC-23A		16A	25A	32A	45A	45A
Rated operating current AC-3		12A	23A	30A	37A	37A
Rated power control AC-23A	240V	4KW	7.5KW	9KW	15KW	15KW
	440V	7.5KW	12.5KW	16KW	22KW	22KW
Rated power control AC-3	240V	3KW	5.5KW	7.5KW	11KW	11KW
	440V	5.5KW	11KW	15KW	18.5KW	18.5KW
UL-CSA Motor load	240V	3KW	5KW	5KW	10KW	10KW
	440V	7.5KW	10KW	10KW	20KW	20KW
Rated short-time withstand current		250A	400A	500A	600A	850A
Connect wires		0.5-10MM <sup>2</sup>			1-16MM <sup>2</sup>	
Screw torque		0.8-1.7N·m			1.5-2N·m	
Rated insulation voltage		690V				

### Reference Dimension





Out of box operation  
Din rail installation

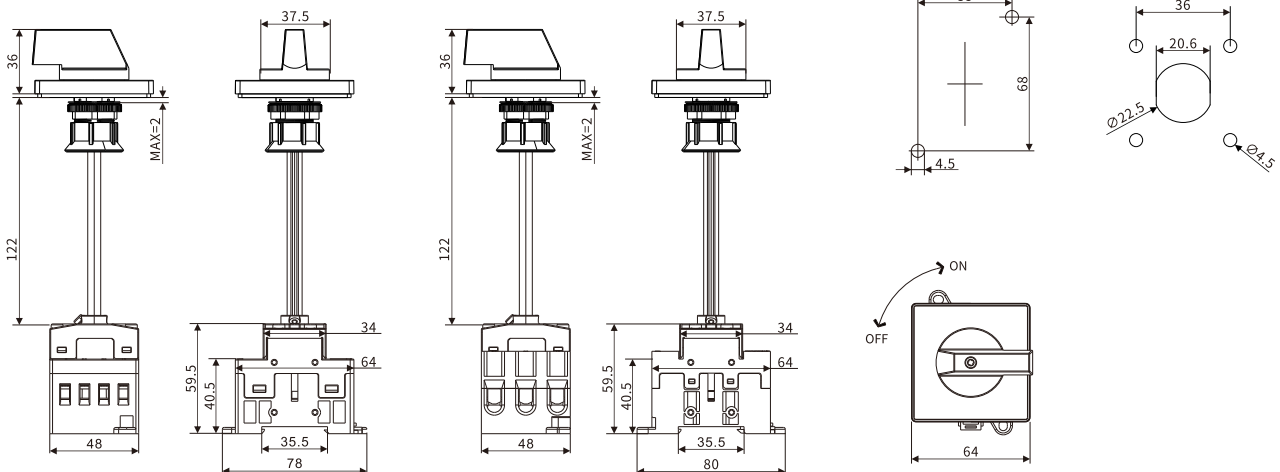


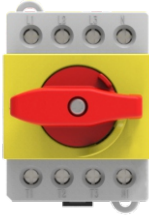
Current		20A	32A	40A	63A	80A
Type		EKD6-DC20-4	EKD6-DC32-4	EKD6-DC40-4	EKD6-DC63-3	EKD6-DC80-3
Rated current		20A	32A	40A	63A	80A
Rated operating current AC-23A		16A	25A	32A	45A	45A
Rated operating current AC-3		12A	23A	30A	37A	37A
Rated power control AC-23A	240V	4KW	7.5KW	9KW	15KW	15KW
	440V	7.5KW	12.5KW	16KW	22KW	22KW
Rated power control AC-3	240V	3KW	5.5KW	7.5KW	11KW	11KW
	440V	5.5KW	11KW	15KW	18.5KW	18.5KW
UL-CSA Motor load	240V	3KW	5KW	5KW	10KW	10KW
	440V	7.5KW	10KW	10KW	20KW	20KW
Rated short-time withstand current		250A	400A	500A	600A	850A
Connect wires		0.5-10MM <sup>2</sup>			1-16MM <sup>2</sup>	
Screw torque		0.8-1.7N·m			1.5-2N·m	
Rated insulation voltage		690V				

### Reference Dimension

4Poles 20-40A

3Poles 63-80A



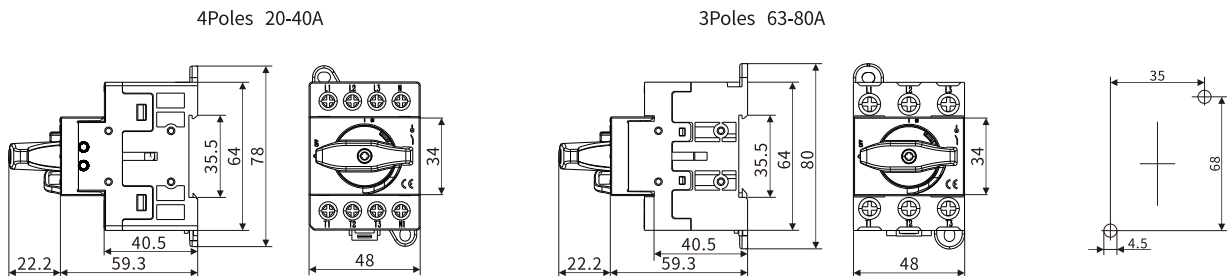


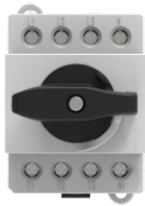
Inside the box operation  
Din rail installation



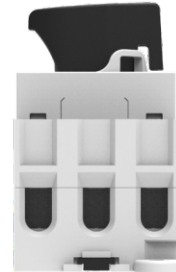
Current		20A	32A	40A	63A	80A
Type		EKD6-LK20-4RY	EKD6-LK32-4RY	EKD6-LK40-4RY	EKD6-LK63-3RY	EKD6-LK80-3RY
Rated current		20A	32A	40A	63A	80A
Rated operating current AC-23A		16A	25A	32A	45A	45A
Rated operating current AC-3		12A	23A	30A	37A	37A
Rated power control AC-23A	240V	4KW	7.5KW	9KW	15KW	15KW
	440V	7.5KW	12.5KW	16KW	22KW	22KW
Rated power control AC-3	240V	3KW	5.5KW	7.5KW	11KW	11KW
	440V	5.5KW	11KW	15KW	18.5KW	18.5KW
UL-CSA Motor load	240V	3KW	5KW	5KW	10KW	10KW
	440V	7.5KW	10KW	10KW	20KW	20KW
Rated short-time withstand current		250A	400A	500A	600A	850A
Connect wires		0.5-10MM <sup>2</sup>			1-16MM <sup>2</sup>	
Screw torque		0.8-1.7N·m			1.5-2N·m	
Rated insulation voltage		690V				

### Reference Dimension



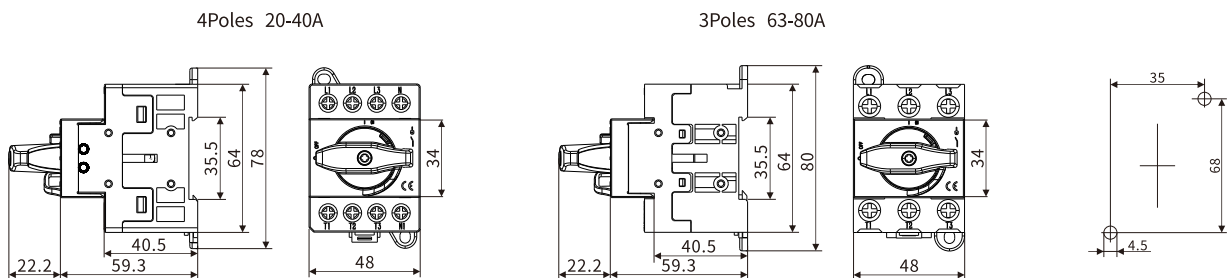


Out of box operation  
Din rail installation



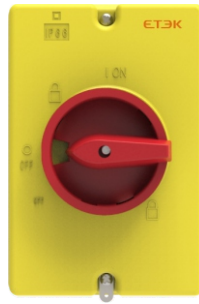
Current		20A	32A	40A	63A	80A
Type		EKD6-LK20-4	EKD6-LK32-4	EKD6-LK40-4	EKD6-LK63-3	EKD6-LK80-3
Rated current		20A	32A	40A	63A	80A
Rated operating current AC-23A		16A	25A	32A	45A	45A
Rated operating current AC-3		12A	23A	30A	37A	37A
Rated power control AC-23A	240V	4KW	7.5KW	9KW	15KW	15KW
	440V	7.5KW	12.5KW	16KW	22KW	22KW
Rated power control AC-3	240V	3KW	5.5KW	7.5KW	11KW	11KW
	440V	5.5KW	11KW	15KW	18.5KW	18.5KW
UL-CSA Motor load	240V	3KW	5KW	5KW	10KW	10KW
	440V	7.5KW	10KW	10KW	20KW	20KW
Rated short-time withstand current		250A	400A	500A	600A	850A
Connect wires		0.5-10MM <sup>2</sup>			1-16MM <sup>2</sup>	
Screw torque		0.8-1.7N·m			1.5-2N·m	
Rated insulation voltage		690V				

### Reference Dimension



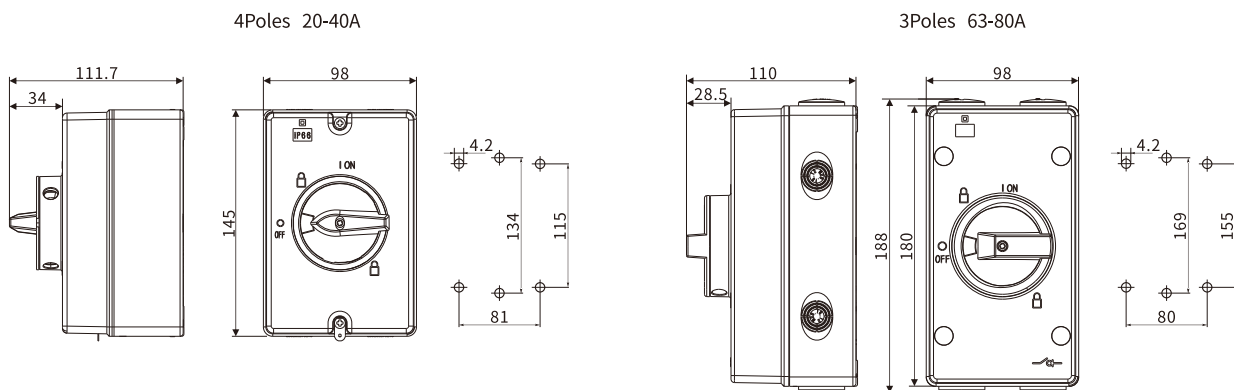


Waterproof box installation



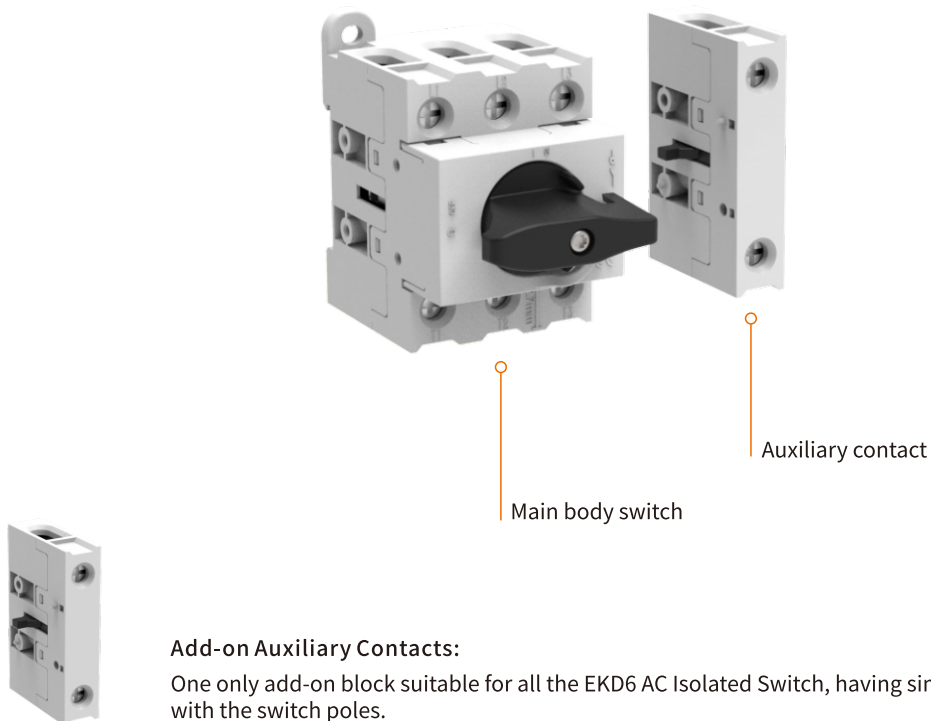
Current		20A	32A	40A	63A	80A
Type		EKD6-EL20R-4	EKD6-EL32R-4	EKD6-EL40R-4	EKD6-EL63R-3	EKD6-EL80R-3
Rated current		20A	32A	40A	63A	80A
Rated operating current AC-23A		16A	25A	32A	45A	45A
Rated operating current AC-3		12A	23A	30A	37A	37A
Rated power control AC-23A	240V	4KW	7.5KW	9KW	15KW	15KW
	440V	7.5KW	12.5KW	16KW	22KW	22KW
Rated power control AC-3	240V	3KW	5.5KW	7.5KW	11KW	11KW
	440V	5.5KW	11KW	15KW	18.5KW	18.5KW
UL-CSA Motor load	240V	3KW	5KW	5KW	10KW	10KW
	440V	7.5KW	10KW	10KW	20KW	20KW
Rated short-time withstand current		250A	400A	500A	600A	850A
Connect wires		0.5-10MM <sup>2</sup>			1-16MM <sup>2</sup>	
Screw torque		0.8-1.7N·m			1.5-2N·m	
Rated insulation voltage		690V				

### Reference Dimension



### Accessory

Mounting and removal of auxiliary contact are quick and simple without tools.

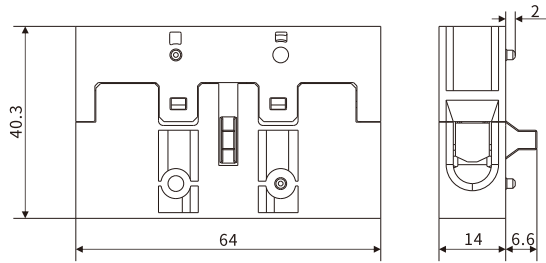


#### Add-on Auxiliary Contacts:

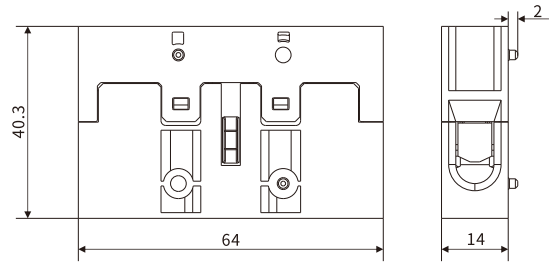
One only add-on block suitable for all the EKD6 AC Isolated Switch, having simultaneous operation with the switch poles.

Appearance	Type	Rated operation current	Applied to	Circuit diagram
	EKAC6-ACC01	80A	EKD6	
	EKAC6-ACC02	80A	EKD6	
	EKAC6-ACC03	-	EKD6	

Reference Dimension



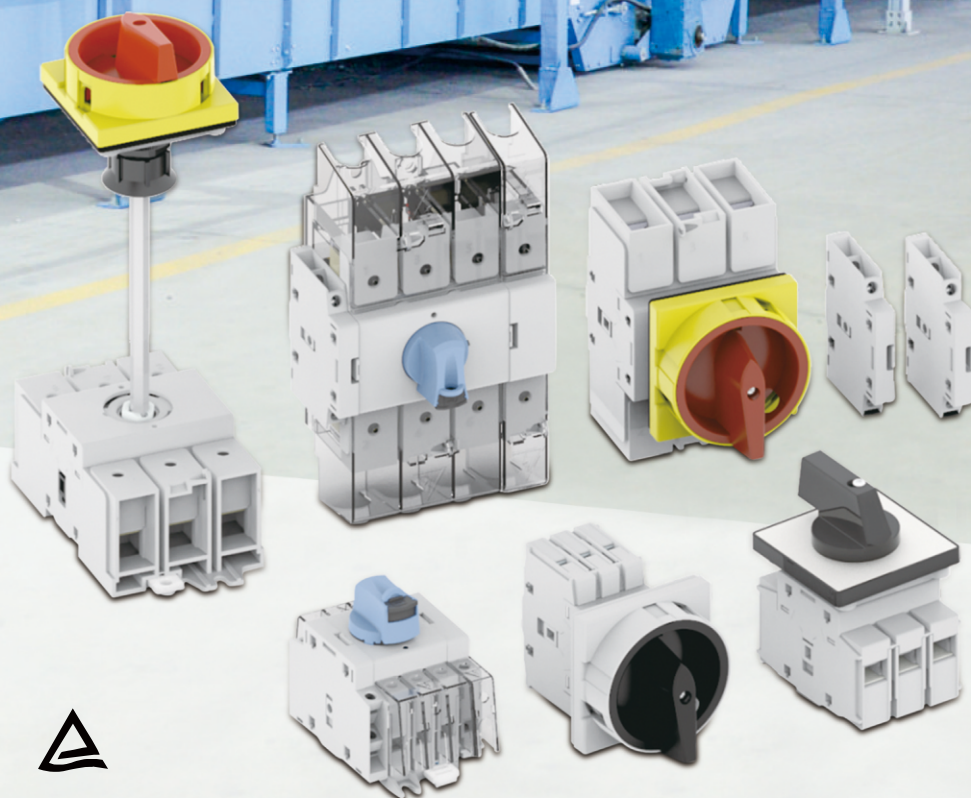
EKAC6-ACC01/02



EKAC6-ACC03

# EKD80

## AC Isolated Switch



CB CE  $\Delta$



EKD80 -	PM	80	R <sup>①</sup>	- 3	RY <sup>②</sup>
Type of Switch-disconnectors	Installation Form	Rated current(A)	Lock form	Poles	Handel Option
	<b>DB</b> Rail installation	<b>16</b> 16A(40Frame) <b>20</b> 20A(40Frame)	<b>Empty</b> Without lock <b>R</b> With lock	<b>2</b> 2P <b>3</b> 3P	<b>RY</b> Rotating red/yellow handle With lock only
	<b>PM</b> Panel mounting	<b>25</b> 25A(40Frame) <b>32</b> 32A(40Frame)		<b>4</b> 4P <b>5</b> 5P	
	<b>DC</b> Door lock installation	<b>40</b> 40A(40Frame) <b>63</b> 63A(80Frame)		<b>6</b> 6P <b>7</b> 7P	<b>BW</b> Black/white rotating handle Optional with lock/without lock
	<b>EL</b> External plastic box	<b>80</b> 80A(80Frame) <b>80H</b> 100A(80Frame)		<b>8</b> 8P	
	<b>ELA</b> External aluminum box	<b>100</b> 100A(125Frame) <b>125</b> 125A(125Frame)			<b>BB</b> Black/black rotating handle Only without lock

- ① Not suitable for EL external plastic box / ELA external aluminum box
- ② Not suitable for DB rail installation / EL external plastic box / ELA external aluminum box

**Side Mount Add-on Poles**

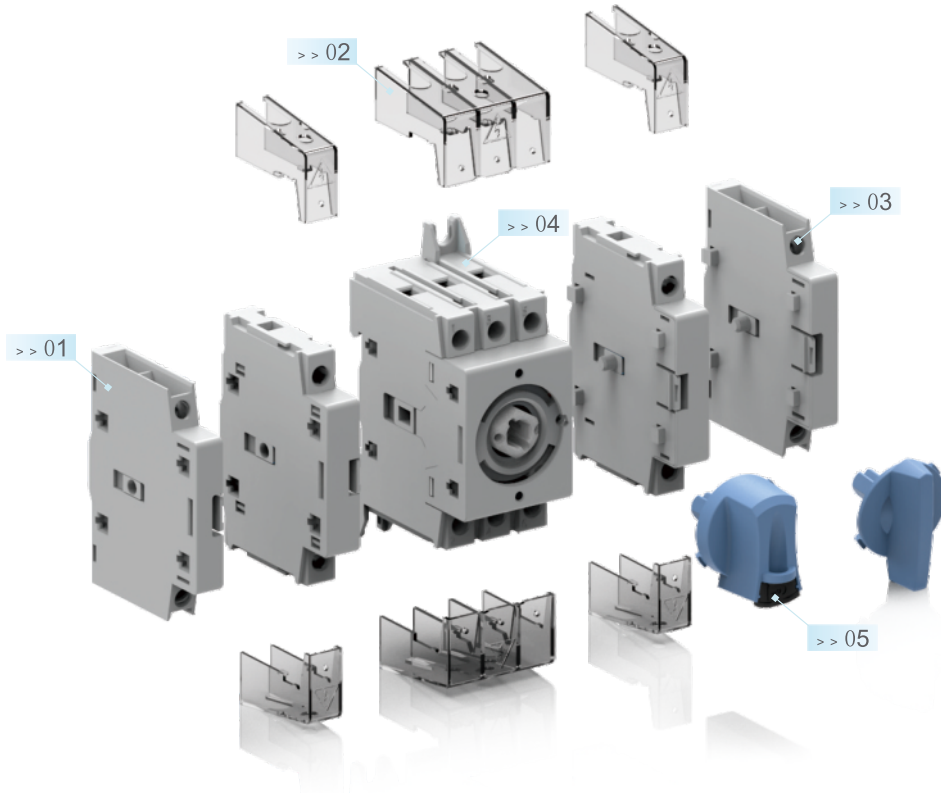
EKD80-	PS	R	16
Type of Switch-disconnectors	Additional pole code	Installation Form	Rated current(A)
	<b>PS</b> Sync disconnected <b>PD</b> Pre-disconnect <b>PN</b> N terminal <b>PE</b> Ground wire	<b>Empty</b> DB / DC / EL front installation form <b>R</b> PM reverse installation form	<b>16</b> 16A (40Frame) <b>20</b> 20A (40Frame) <b>25</b> 25A (40Frame) <b>32</b> 32A (40Frame) <b>40</b> 40A (40Frame) <b>63</b> 63A (80Frame) <b>80</b> 80A (80Frame) <b>80H</b> 100A (80Frame) <b>100</b> 100A (125Frame) <b>125</b> 125A (125Frame)

**Add-on auxiliary contacts**

EKD80-	P1	R
Type of Switch-disconnectors	Auxiliary contacts Code	Installation Form
	<b>P1</b> 1NO+1NC <b>P2</b> 2NO	<b>Empty</b> LK / DC / EL front installation form <b>R</b> PM reverse installation form

Notes: The Product is under development

Mounting and removal of the fourth pole and auxiliary contact are quick and simple without tools.



### 01 Add-on Auxiliary Contacts

The isolating switch adopts the same auxiliary contact, and the auxiliary contact and the main pole of the switch act at the same time. A normally open contact with pre-disconnect function can be provided as required. The isolation switch can be installed with up to four auxiliary accessories (about 2 and 2 on the left)

### 02 Terminal cover

The isolation switch terminal cover has a simple appearance design, high-quality transparent PC material, flame-retardant, high strength, no color change after long-term use, high-quality waterproof and easy to install.

### 03 Side Mount Add-on Fourth Pole

Simultaneous or early contact operation of the fourth pole with respect to the switch disconnecter poles.

### 04 Switch body

The switch adopts compression contact opening and closing technology, and has the function of complete disconnection indication. According to its mechanical principle, this switch can work normally in any position, without having to consider the problem of dropping passengers.

### 05 Rotating Handle Parts

Rotating handle, with anti-misoperation padlock design to prevent misoperation, safe and reliable; using high-quality flame-retardant materials, insulation and impact resistance; elegant and stylish design, beautiful and durable.

### Rail installation method



**EKD80-DB40R**  
36mm



**EKD80-DB80R**  
52.5mm



**EKD80-DB125R**  
71.4mm

Type	3P	EKD80-DB16R-3	EKD80-DB20R-3	EKD80-DB25R-3	EKD80-DB32R-3	EKD80-DB40R-3	EKD80-DB63R-3	EKD80-DB80R-3	EKD80-DB80HR-3	EKD80-DB100R-3	EKD80-DB125R-3					
	4P	EKD80-DB16R-4	EKD80-DB20R-4	EKD80-DB25R-4	EKD80-DB32R-4	EKD80-DB40R-4	EKD80-DB63R-4	EKD80-DB80R-4	EKD80-DB80HR-4	EKD80-DB100R-4	EKD80-DB125R-4					
Current Agreed heating current (≤40°C)		16A	20A	25A	32A	40A	63A	80A	100A	100A	125A					
IEC rated operational current Ie AC-21A/B(≤690V)		16A/16A	20A/20A	25A/25A	32A/32A	40A/40A	63A/63A	80A/80A	100A/100A	100A/100A	125A/125A					
IEC rated operational current Ie AC-22A/B	415V	16A/16A	20A/20A	25A/25A	32A/32A	40A/40A	63A/63A	80A/80A	100A/100A	100A/100A	125A/125A					
	500V					32A/40A	40A/63A	63A/80A	63A/80A	80A/100A	100A/125A					
	690V															
IEC rated operational current Ie AC-23A/B	415V	16A/16A	20A/20A	25A/25A	32A/32A	40A/40A	63A/63A	80A/80A	80A/80A	100A/100A	125A/125A					
	500V				25A/25A			63A/63A		80A/80A	100A/100A					
	690V								40A/40A		63/63A	63A/63A				
IEC rated operational current Ie DC-21B	110VDC	16A <sup>①</sup>	20A <sup>①</sup>	25A <sup>①</sup>	32A <sup>①</sup>	40A <sup>①</sup>	63A <sup>①</sup>	80A <sup>①</sup>	80A <sup>①</sup>	100A <sup>①</sup>	125A <sup>①</sup>					
	250VDC	16A <sup>②</sup>	20A <sup>②</sup>	25A <sup>②</sup>	32A <sup>②</sup>	40A <sup>②</sup>	63A <sup>②</sup>	80A <sup>②</sup>	80A <sup>②</sup>	100A <sup>②</sup>	125A <sup>②</sup>					
	400VDC	16A <sup>③</sup>	20A <sup>③</sup>	25A <sup>③</sup>	25A <sup>③</sup>		40A <sup>③</sup>		63A <sup>③</sup>							
IEC rated operational power (3 phase) AC-23A/B	415V	7.5KW	9KW	11KW	15KW	18.5KW	30KW	37KW	45KW	55KW						
	500V															
	690V											11KW	15KW			

Short circuit withstand current of fuse protection (kA rms expected value)

Fuse class	415V	16A	20A	25A	32A	40A	63A	80A	100A	125A	
Rated conditional short-circuit current	415V	50kA							25kA		

Short circuit withstand current of circuit breaker for Protection, any circuit breaker that can trip within 0.3s

Rated short-time withstand current	0.3S	2.5kA				3kA			5kA		
------------------------------------	------	-------	--	--	--	-----	--	--	-----	--	--

Short circuit performance (unprotected)

Rated short-time withstand current	1S	1.26kA				1.5kA			2.75kA		
Rated short circuit making capacity		1.8kA				2.1kA			3.9kA		
Cross area of terminals		1.5~16mm <sup>2</sup>				2.5~35mm <sup>2</sup>			10~70mm <sup>2</sup>		
Rated insulation voltage Ui		800V									
Rated impulse withstand voltage Uimp		8kV									
Mechanical Endurance		100000									
Ambient Temperature		Operating -25...+55°C					Storage -40...+70°C				

① Each pole is used as positive and negative ② Three poles are used in series with positive and negative poles, of which two poles are in series, and the other is negative ③ four poles are used in series with positive and negative poles

### Rail installation method



**EKD80-DB40**  
36mm



**EKD80-DB80**  
52.5mm



**EKD80-DB125**  
71.4mm

Type	3P	EKD80-DB16-3	EKD80-DB20-3	EKD80-DB25-3	EKD80-DB32-3	EKD80-DB40-3	EKD80-DB63-3	EKD80-DB80-3	EKD80-DB80H-3	EKD80-DB100-3	EKD80-DB125-3
	4P	EKD80-DB16-4	EKD80-DB20-4	EKD80-DB25-4	EKD80-DB32-4	EKD80-DB40-4	EKD80-DB63-4	EKD80-DB80-4	EKD80-DB80H-4	EKD80-DB100-4	EKD80-DB125-4
Current Agreed heating current (≤40°C)		16A	20A	25A	32A	40A	63A	80A	100A	100A	125A
IEC rated operational current I <sub>e</sub> AC-22A/B (≤690V)		16A/16A	20A/20A	25A/25A	32A/32A	40A/40A	63A/63A	80A/80A	100A/100A	100A/100A	125A/125A
IEC rated operational current I <sub>e</sub> AC-22A/B	415V	16A/16A	20A/20A	25A/25A	32A/32A	40A/40A	63A/63A	80A/80A	100A/100A	100A/100A	125A/125A
	500V					32A/40A	40A/63A	63A/80A	63A/80A	80A/100A	100A/125A
	690V										
IEC rated operational current I <sub>e</sub> AC-23A/B	415V	16A/16A	20A/20A	25A/25A	32A/32A	40A/40A	63A/63A	80A/80A	80A/80A	100A/100A	125A/125A
	500V				25A/25A			63A/63A		80A/80A	100A/100A
	690V								40A/40A		63/63A
IEC rated operational current I <sub>e</sub> DC-21B	110VDC	16A <sup>①</sup>	20A <sup>①</sup>	25A <sup>①</sup>	32A <sup>①</sup>	40A <sup>①</sup>	63A <sup>①</sup>	80A <sup>①</sup>	80A <sup>①</sup>	100A <sup>①</sup>	125A <sup>①</sup>
	250VDC	16A <sup>②</sup>	20A <sup>②</sup>	25A <sup>②</sup>	32A <sup>②</sup>	40A <sup>②</sup>	63A <sup>②</sup>	80A <sup>②</sup>	80A <sup>②</sup>	100A <sup>②</sup>	125A <sup>②</sup>
	400VDC	16A <sup>③</sup>	20A <sup>③</sup>	25A <sup>③</sup>	25A <sup>③</sup>		40A <sup>③</sup>		63A <sup>③</sup>		
IEC rated operational power (3 phase) AC-23A/B	415V	7.5KW	9KW	11KW	15KW	18.5KW	30KW	37KW	45KW		55KW
	500V										
	690V		11KW	15KW							

Short circuit withstand current of fuse protection (kA rms expected value)

Fuse class	415V	16A	20A	25A	32A	40A	63A	80A	100A	125A	
Rated conditional short-circuit current	415V	50kA						25kA			

Short circuit withstand current of circuit breaker for protection, any circuit breaker that can trip within 0.3s

Rated short-time withstand current	0.3S	2.5kA				3kA			5kA		
------------------------------------	------	-------	--	--	--	-----	--	--	-----	--	--

Short circuit performance (unprotected)

Rated short-time withstand current	1S	1.26kA				1.5kA			2.75kA		
Rated short circuit making capacity		1.8kA				2.1kA			3.9kA		

Cross area of terminals		1.5~16mm <sup>2</sup>				2.5~35mm <sup>2</sup>			10~70mm <sup>2</sup>		
-------------------------	--	-----------------------	--	--	--	-----------------------	--	--	----------------------	--	--

Rated insulation voltage U <sub>i</sub>		800V									
---	--	------	--	--	--	--	--	--	--	--	--

Rated impulse withstand voltage U <sub>imp</sub>		8kV									
--	--	-----	--	--	--	--	--	--	--	--	--

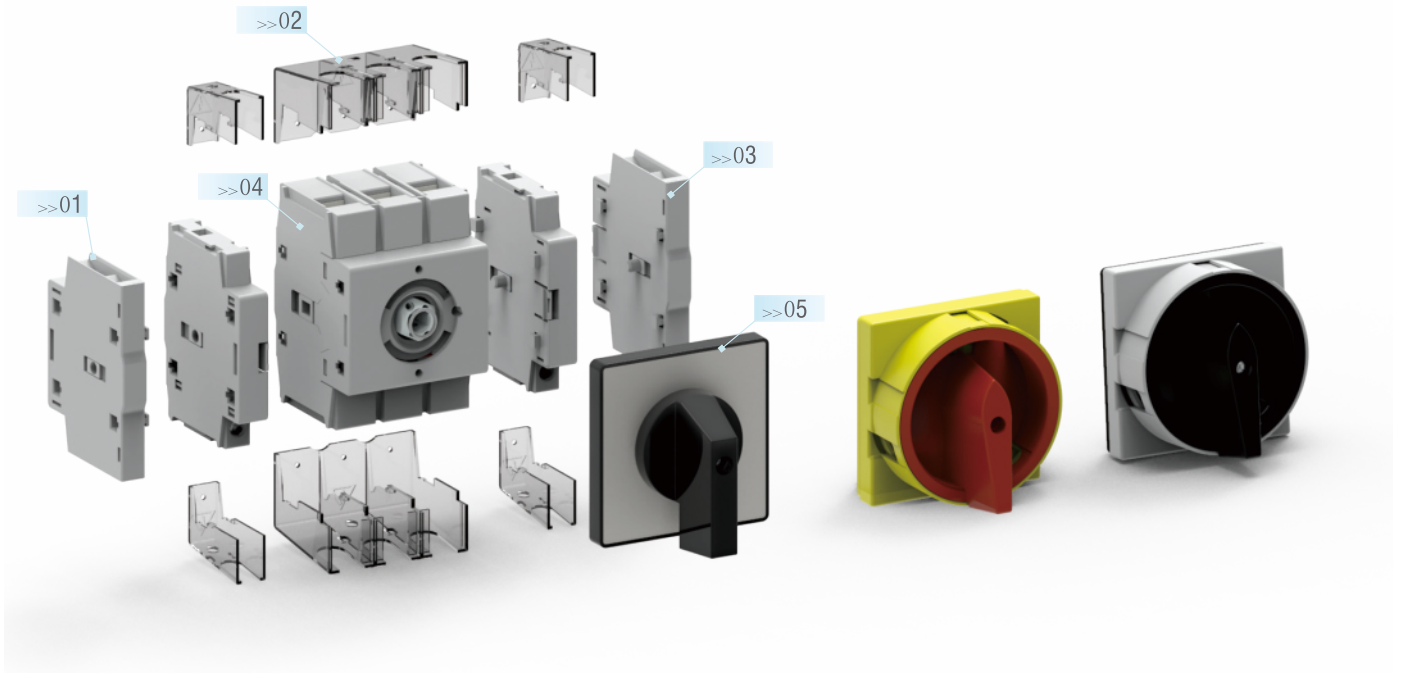
Mechanical Endurance		100000									
----------------------	--	--------	--	--	--	--	--	--	--	--	--

Ambient Temperature		Operating -25...+55°C					Storage -40...+70°C				
---------------------	--	-----------------------	--	--	--	--	---------------------	--	--	--	--

- ① Each pole is used as positive and negative    ② Three poles are used in series with positive and negative poles, of which two poles are in series, and the other is negative    ③ four poles are used in series with positive and negative poles

### Panel mounting

Mounting and removal of the fourth pole and auxiliary contact are quick and simple without tools.



#### 01 Add-on Auxiliary Contacts

The isolating switch adopts the same auxiliary contact, and the auxiliary contact and the main pole of the switch act at the same time. A normally open contact with pre-disconnect function can be provided as required. The isolation switch can be installed with up to four auxiliary accessories (about 2 and 2 on the left)

#### 02 Terminal cover

The isolation switch terminal cover has a simple appearance design, high-quality transparent PC material, flame-retardant, high strength, no color change after long-term use, high-quality waterproof and easy to install.

#### 03 Side Mount Add-on Fourth Pole

Simultaneous or early contact operation of the fourth pole with respect to the switch disconnecter poles.

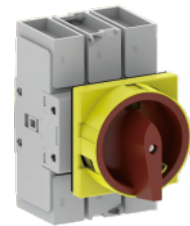
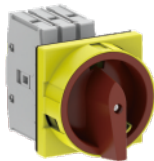
#### 04 Switch body

The switch adopts compression contact opening and closing technology, and has the function of complete disconnection indication. According to its mechanical principle, this switch can work normally in any position, without having to consider the problem of dropping passengers.

#### 05 Rotating Handle Parts

Rotating handle, with anti-misoperation padlock design to prevent misoperation, safe and reliable; using high-quality flame-retardant materials, insulation and impact resistance; elegant and stylish design, beautiful and durable.

### Panel mounting



**EKD80-PM40R-RY**  
35mm

**EKD80-PM80R-RY**  
52.5mm

**EKD80-PM125R-RY**  
71.4mm

Type	3P	EKD80-PM16R-3RY	EKD80-PM20R-3RY	EKD80-PM25R-3RY	EKD80-PM32R-3RY	EKD80-PM40R-3RY	EKD80-PM63R-3RY	EKD80-PM80R-3RY	EKD80-PM80HR-3RY	EKD80-PM100R-3RY	EKD80-PM125R-3RY					
	4P	EKD80-PM16R-4RY	EKD80-PM20R-4RY	EKD80-PM25R-4RY	EKD80-PM32R-4RY	EKD80-PM40R-4RY	EKD80-PM63R-4RY	EKD80-PM80R-4RY	EKD80-PM80HR-4RY	EKD80-PM100R-4RY	EKD80-PM125R-4RY					
Current Agreed heating current (≤40°C)		16A	20A	25A	32A	40A	63A	80A	100A	100A	125A					
IEC rated operational current I <sub>e</sub> AC-22A/B (≤690V)		16A/16A	20A/20A	25A/25A	32A/32A	40A/40A	63A/63A	80A/80A	100A/100A	100A/100A	125A/125A					
IEC rated operational current I <sub>e</sub> AC-22A/B	415V	16A/16A	20A/20A	25A/25A	32A/32A	40A/40A	63A/63A	80A/80A	100A/100A	100A/100A	125A/125A					
	500V					32A/40A	40A/63A	63A/80A	63A/80A	80A/100A	100A/125A					
	690V															
IEC rated operational current I <sub>e</sub> AC-23A/B	415V	16A/16A	20A/20A	25A/25A	32A/32A	40A/40A	63A/63A	80A/80A	80A/80A	100A/100A	125A/125A					
	500V				25A/25A			63A/63A		80A/80A	100A/100A					
	690V								40A/40A		63/63A	63A/63A				
IEC rated operational current I <sub>e</sub> DC-21B	110VDC	16A <sup>①</sup>	20A <sup>①</sup>	25A <sup>①</sup>	32A <sup>①</sup>	40A <sup>①</sup>	63A <sup>①</sup>	80A <sup>①</sup>	80A <sup>①</sup>	100A <sup>①</sup>	125A <sup>①</sup>					
	250VDC	16A <sup>②</sup>	20A <sup>②</sup>	25A <sup>②</sup>	32A <sup>②</sup>	40A <sup>②</sup>	63A <sup>②</sup>	80A <sup>②</sup>	80A <sup>②</sup>	100A <sup>②</sup>	125A <sup>②</sup>					
	400VDC	16A <sup>③</sup>	20A <sup>③</sup>	25A <sup>③</sup>	25A <sup>③</sup>		40A <sup>③</sup>		63A <sup>③</sup>							
IEC rated operational power (3 phase) AC-23A/B	415V	7.5KW	9KW	11KW	15KW	18.5KW	30KW	37KW	45KW	55KW						
	500V															
	690V											11KW	15KW			

Short circuit withstand current of fuse protection (kA rms expected value)

Fuse class	415V	16A	20A	25A	32A	40A	63A	80A	100A	125A	
Rated conditional short-circuit current	415V	50kA							25kA		

Short circuit withstand current of circuit breaker for protection, any circuit breaker that can trip within 0.3s

Rated short-time withstand current	0.3S	2.5kA				3kA			5kA	
------------------------------------	------	-------	--	--	--	-----	--	--	-----	--

Short circuit performance (unprotected)

Rated short-time withstand current	1S	1.26kA				1.5kA			2.75kA	
Rated short circuit making capacity		1.8kA				2.1kA			3.9kA	

Cross area of terminals		1.5~16mm <sup>2</sup>				2.5~35mm <sup>2</sup>			10~70mm <sup>2</sup>	
-------------------------	--	-----------------------	--	--	--	-----------------------	--	--	----------------------	--

Rated insulation voltage U <sub>i</sub>		800V									
---	--	------	--	--	--	--	--	--	--	--	--

Rated impulse withstand voltage U <sub>imp</sub>		8kV									
--	--	-----	--	--	--	--	--	--	--	--	--

Mechanical Endurance		100000									
----------------------	--	--------	--	--	--	--	--	--	--	--	--

Ambient Temperature		Operating -25...+55°C					Storage -40...+70°C				
---------------------	--	-----------------------	--	--	--	--	---------------------	--	--	--	--

① Each pole is used as positive and negative ② Three poles are used in series with positive and negative poles, of which two poles are in series, and the other is negative ③ four poles are used in series with positive and negative poles

## Panel mounting



**EKD80-PM40R-BW**  
35mm



**EKD80-PM80R-BW**  
52.5mm



**EKD80-PM125R-BW**  
71.4mm

Type	3P	EKD80-PM16R-3BW	EKD80-PM20R-3BW	EKD80-PM25R-3BW	EKD80-PM32R-3BW	EKD80-PM40R-3BW	EKD80-PM63R-3BW	EKD80-PM80R-3BW	EKD80-PM80HR-3BW	EKD80-PM100R-3BW	EKD80-PM125R-3BW
	4P	EKD80-PM16R-4BW	EKD80-PM20R-4BW	EKD80-PM25R-4BW	EKD80-PM32R-4BW	EKD80-PM40R-4BW	EKD80-PM63R-4BW	EKD80-PM80R-4BW	EKD80-PM80HR-4BW	EKD80-PM100R-4BW	EKD80-PM125R-4BW
Current Agreed heating current (≤40°C)		16A	20A	25A	32A	40A	63A	80A	100A	100A	125A
IEC rated operational current le AC-21A/B(≤690V)		16A/16A	20A/20A	25A/25A	32A/32A	40A/40A	63A/63A	80A/80A	100A/100A	100A/100A	125A/125A
IEC rated operational current le AC-22A/B	415V	16A/16A	20A/20A	25A/25A	32A/32A	40A/40A	63A/63A	80A/80A	100A/100A	100A/100A	125A/125A
	500V					32A/40A	40A/63A	63A/80A	63A/80A	80A/100A	100A/125A
	690V										
IEC rated operational current le AC-23A/B	415V	16A/16A	20A/20A	25A/25A	32A/32A	40A/40A	63A/63A	80A/80A	80A/80A	100A/100A	125A/125A
	500V				25A/25A			63A/63A		80A/80A	100A/100A
	690V							40A/40A		63/63A	63A/63A
IEC rated operational current le DC-21B	110VDC	16A <sup>①</sup>	20A <sup>①</sup>	25A <sup>①</sup>	32A <sup>①</sup>	40A <sup>①</sup>	63A <sup>①</sup>	80A <sup>①</sup>	80A <sup>①</sup>	100A <sup>①</sup>	125A <sup>①</sup>
	250VDC	16A <sup>②</sup>	20A <sup>②</sup>	25A <sup>②</sup>	32A <sup>②</sup>	40A <sup>②</sup>	63A <sup>②</sup>	80A <sup>②</sup>	80A <sup>②</sup>	100A <sup>②</sup>	125A <sup>②</sup>
	400VDC	16A <sup>③</sup>	20A <sup>③</sup>	25A <sup>③</sup>	25A <sup>③</sup>		40A <sup>③</sup>		63A <sup>③</sup>		
IEC rated operational power (3 phase) AC-23A/B	415V	7.5KW	9KW	11KW	15KW	18.5KW	30KW	37KW	45KW	55KW	
	500V										
	690V										11KW

Short circuit withstand current of fuse protection (kA rms expected value)

Fuse class	415V	16A	20A	25A	32A	40A	63A	80A	100A	125A	
Rated conditional short-circuit current	415V	50kA						25kA			

Short circuit withstand current of circuit breaker for protection, any circuit breaker that can trip within 0.3s

Rated short-time withstand current	0.3S	2.5kA				3kA			5kA		
------------------------------------	------	-------	--	--	--	-----	--	--	-----	--	--

Short circuit performance (unprotected)

Rated short-time withstand current	1S	1.26kA				1.5kA			2.75kA		
Rated short circuit making capacity		1.8kA				2.1kA			3.9kA		

Cross area of terminals		1.5~16mm <sup>2</sup>				2.5~35mm <sup>2</sup>			10~70mm <sup>2</sup>		
-------------------------	--	-----------------------	--	--	--	-----------------------	--	--	----------------------	--	--

Rated insulation voltage Ui		800V									
-----------------------------	--	------	--	--	--	--	--	--	--	--	--

Rated impulse withstand voltage Uimp		8kV									
--------------------------------------	--	-----	--	--	--	--	--	--	--	--	--

Mechanical Endurance		100000									
----------------------	--	--------	--	--	--	--	--	--	--	--	--

Ambient Temperature		Operating -25...+55°C					Storage -40...+70°C				
---------------------	--	-----------------------	--	--	--	--	---------------------	--	--	--	--

① Each pole is used as positive and negative ② Three poles are used in series with positive and negative poles, of which two poles are in series, and the other is negative ③ four poles are used in series with positive and negative poles

### Panel mounting



**EKD80-PM40-BW**  
35mm

**EKD80-PM80-BW**  
52.5mm

**EKD80-PM125-BW**  
71.4mm

Type	3P	EKD80-PM16-3BW	EKD80-PM20-3BW	EKD80-PM25-3BW	EKD80-PM32-3BW	EKD80-PM40-3BW	EKD80-PM63-3BW	EKD80-PM80-3BW	EKD80-PM80H-3BW	EKD80-PM100-3BW	EKD80-PM125-3BW
	4P	EKD80-PM16-4BW	EKD80-PM20-4BW	EKD80-PM25-4BW	EKD80-PM32-4BW	EKD80-PM40-4BW	EKD80-PM63-4BW	EKD80-PM80-4BW	EKD80-PM80H-4BW	EKD80-PM100-4BW	EKD80-PM125-4BW
Current Agreed heating current (≤40°C)		16A	20A	25A	32A	40A	63A	80A	100A	100A	125A
IEC rated operational current I <sub>e</sub> AC-21A/B(≤690V)		16A/16A	20A/20A	25A/25A	32A/32A	40A/40A	63A/63A	80A/80A	100A/100A	100A/100A	125A/125A
IEC rated operational current I <sub>e</sub> AC-22A/B	415V	16A/16A	20A/20A	25A/25A	32A/32A	40A/40A	63A/63A	80A/80A	100A/100A	100A/100A	125A/125A
	500V					32A/40A	40A/63A	63A/80A	63A/80A	80A/100A	100A/125A
	690V						40A/63A	63A/80A	63A/80A	80A/100A	100A/125A
IEC rated operational current I <sub>e</sub> AC-23A/B	415V	16A/16A	20A/20A	25A/25A	32A/32A	40A/40A	63A/63A	80A/80A	80A/80A	100A/100A	125A/125A
	500V				25A/25A			63A/63A		80A/80A	100A/100A
	690V				25A/25A			40A/40A		63/63A	63A/63A
IEC rated operational current I <sub>e</sub> DC-21B	110VDC	16A <sup>①</sup>	20A <sup>①</sup>	25A <sup>①</sup>	32A <sup>①</sup>	40A <sup>①</sup>	63A <sup>①</sup>	80A <sup>①</sup>	80A <sup>①</sup>	100A <sup>①</sup>	125A <sup>①</sup>
	250VDC	16A <sup>②</sup>	20A <sup>②</sup>	25A <sup>②</sup>	32A <sup>②</sup>	40A <sup>②</sup>	63A <sup>②</sup>	80A <sup>②</sup>	80A <sup>②</sup>	100A <sup>②</sup>	125A <sup>②</sup>
	400VDC	16A <sup>③</sup>	20A <sup>③</sup>	25A <sup>③</sup>	25A <sup>③</sup>		40A <sup>③</sup>		63A <sup>③</sup>		
IEC rated operational power (3 phase) AC-23A/B	415V	7.5KW	9KW	11KW	15KW	18.5KW	30KW	37KW	45KW	55KW	
	500V										
	690V										11KW

Short circuit withstand current of fuse protection (kA rms expected value)

Fuse class	415V	16A	20A	25A	32A	40A	63A	80A	100A	125A	
Rated conditional short-circuit current	415V	50kA							25kA		

Short circuit withstand current of circuit breaker for protection, any circuit breaker that can trip within 0.3s

Rated short-time withstand current	0.3S	2.5kA					3kA		5kA		
---------------------------------------	------	-------	--	--	--	--	-----	--	-----	--	--

Short circuit performance (unprotected)

Rated short-time withstand current	1S	1.26kA					1.5kA		2.75kA		
Rated short circuit making capacity		1.8kA					2.1kA		3.9kA		

Cross area of terminals		1.5~16mm <sup>2</sup>					2.5~35mm <sup>2</sup>		10~70mm <sup>2</sup>		
-------------------------	--	-----------------------	--	--	--	--	-----------------------	--	----------------------	--	--

Rated insulation voltage U <sub>i</sub>		800V									
---	--	------	--	--	--	--	--	--	--	--	--

Rated impulse withstand voltage U <sub>imp</sub>		8kV									
---	--	-----	--	--	--	--	--	--	--	--	--

Mechanical Endurance		100000									
----------------------	--	--------	--	--	--	--	--	--	--	--	--

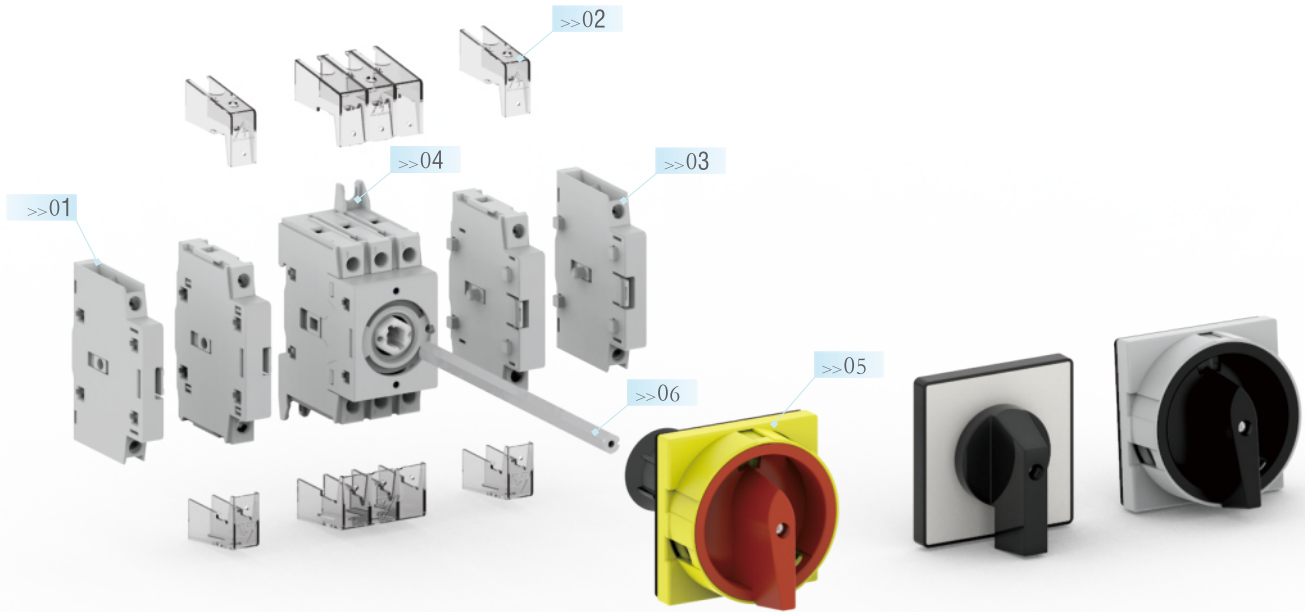
Ambient Temperature		Operating -25...+55°C					Storage -40...+70°C				
---------------------	--	-----------------------	--	--	--	--	---------------------	--	--	--	--

- ① Each pole is used as positive and negative    ② Three poles are used in series with positive and negative poles, of which two poles are in series, and the other is negative    ③ four poles are used in series with positive and negative poles



### Door lock installation

Mounting and removal of the fourth pole and auxiliary contact are quick and simple without tools.



#### 01 Add-on Auxiliary Contacts

The isolating switch adopts the same auxiliary contact, and the auxiliary contact and the main pole of the switch act at the same time. A normally open contact with pre-disconnect function can be provided as required. The isolation switch can be installed with up to four auxiliary accessories (about 2 and 2 on the left)

#### 02 Terminal cover

The isolation switch terminal cover has a simple appearance design, high-quality transparent PC material, flame-retardant, high strength, no color change after long-term use, high-quality waterproof and easy to install.

#### 03 Side Mount Add-on Fourth Pole

Simultaneous or early contact operation of the fourth pole with respect to the switch disconnecter poles.

#### 04 Switch body

The switch adopts compression contact opening and closing technology, and has the function of complete disconnection indication. According to its mechanical principle, this switch can work normally in any position, without having to consider the problem of dropping passengers.

#### 05 Rotating Handle Parts

Rotating handle, with anti-misoperation padlock design to prevent misoperation, safe and reliable; using high-quality flame-retardant materials, insulation and impact resistance; elegant and stylish design, beautiful and durable.

### Door lock installation



**EKD80-DC40-BW**  
35mm

**EKD80-DC80-BW**  
52.5mm

**EKD80-DC125-BW**  
71.4mm

Type	3P	EKD80-DC16-3BW	EKD80-DC20-3BW	EKD80-DC25-3BW	EKD80-DC32-3BW	EKD80-DC40-3BW	EKD80-DC63-3BW	EKD80-DC80-3BW	EKD80-DC80H-3BW	EKD80-DC100-3BW	EKD80-DC125-3BW
	4P	EKD80-DC16-4BW	EKD80-DC20-4BW	EKD80-DC25-4BW	EKD80-DC32-4BW	EKD80-DC40-4BW	EKD80-DC63-4BW	EKD80-DC80-4BW	EKD80-DC80H-4BW	EKD80-DC100-4BW	EKD80-DC125-4BW
Current Agreed heating current (≤40°C)		16A	20A	25A	32A	40A	63A	80A	100A	100A	125A
IEC rated operational current I <sub>e</sub> AC-21A/B(≤690V)		16A/16A	20A/20A	25A/25A	32A/32A	40A/40A	63A/63A	80A/80A	100A/100A	100A/100A	125A/125A
IEC rated operational current I <sub>e</sub> AC-22A/B	415V	16A/16A	20A/20A	25A/25A	32A/32A	40A/40A	63A/63A	80A/80A	100A/100A	100A/100A	125A/125A
	500V					32A/40A	40A/63A	63A/80A	63A/80A	80A/100A	100A/125A
	690V										
IEC rated operational current I <sub>e</sub> AC-23A/B	415V	16A/16A	20A/20A	25A/25A	32A/32A	40A/40A	63A/63A	80A/80A	80A/80A	100A/100A	125A/125A
	500V				25A/25A			63A/63A		80A/80A	100A/100A
	690V								40A/40A		63/63A
IEC rated operational current I <sub>e</sub> DC-21B	110VDC	16A <sup>①</sup>	20A <sup>①</sup>	25A <sup>①</sup>	32A <sup>①</sup>	40A <sup>①</sup>	63A <sup>①</sup>	80A <sup>①</sup>	80A <sup>①</sup>	100A <sup>①</sup>	125A <sup>①</sup>
	250VDC	16A <sup>②</sup>	20A <sup>②</sup>	25A <sup>②</sup>	32A <sup>②</sup>	40A <sup>②</sup>	63A <sup>②</sup>	80A <sup>②</sup>	80A <sup>②</sup>	100A <sup>②</sup>	125A <sup>②</sup>
	400VDC	16A <sup>③</sup>	20A <sup>③</sup>	25A <sup>③</sup>	25A <sup>③</sup>		40A <sup>③</sup>		63A <sup>③</sup>		
IEC rated operational power (3 phase) AC-23A/B	415V	7.5KW	9KW	11KW	15KW	18.5KW	30KW	37KW	45KW	55KW	
	500V										
	690V										11KW

Short circuit withstand current of fuse protection (kA rms expected value)

Fuse class	415V	16A	20A	25A	32A	40A	63A	80A	100A	125A	
Rated conditional short-circuit current	415V	50kA							25kA		

Short circuit withstand current of circuit breaker for protection, any circuit breaker that can trip within 0.3s

Rated short-time withstand current	0.3S	2.5kA				3kA			5kA		
---------------------------------------	------	-------	--	--	--	-----	--	--	-----	--	--

Short circuit performance (unprotected)

Rated short-time withstand current	1S	1.26kA				1.5kA			2.75kA		
Rated short circuit making capacity		1.8kA				2.1kA			3.9kA		

Cross area of terminals	1.5~16mm <sup>2</sup>				2.5~35mm <sup>2</sup>			10~70mm <sup>2</sup>		
-------------------------	-----------------------	--	--	--	-----------------------	--	--	----------------------	--	--

Rated insulation voltage U <sub>i</sub>	800V										
---	------	--	--	--	--	--	--	--	--	--	--

Rated impulse withstand voltage U <sub>imp</sub>	8kV										
---	-----	--	--	--	--	--	--	--	--	--	--

Mechanical Endurance	100000										
----------------------	--------	--	--	--	--	--	--	--	--	--	--

Ambient Temperature	Operating -25...+55°C						Storage -40...+70°C				
---------------------	-----------------------	--	--	--	--	--	---------------------	--	--	--	--

- ① Each pole is used as positive and negative    ② Three poles are used in series with positive and negative poles, of which two poles are in series, and the other is negative    ③ four poles are used in series with positive and negative poles

### Door lock installation



**EKD80-DC40R-RY**  
35mm

**EKD80-DC80R-RY**  
52.5mm

**EKD80-DC125R-RY**  
71.4mm

Type	3P	EKD80-DC16R-3RY	EKD80-DC20R-3RY	EKD80-DC25R-3RY	EKD80-DC32R-3RY	EKD80-DC40R-3RY	EKD80-DC63R-3RY	EKD80-DC80R-3RY	EKD80-DC80HR-3RY	EKD80-DC100R-3RY	EKD80-DC125R-3RY
	4P	EKD80-DC16R-4RY	EKD80-DC20R-4RY	EKD80-DC25R-4RY	EKD80-DC32R-4RY	EKD80-DC40R-4RY	EKD80-DC63R-4RY	EKD80-DC80R-4RY	EKD80-DC80HR-4RY	EKD80-DC100R-4RY	EKD80-DC125R-4RY
Current Agreed heating current (≤40°C)		16A	20A	25A	32A	40A	63A	80A	100A	100A	125A
IEC rated operational current Ie AC-21A/B(≤690V)		16A/16A	20A/20A	25A/25A	32A/32A	40A/40A	63A/63A	80A/80A	100A/100A	100A/100A	125A/125A
IEC rated operational current Ie AC-22A/B	415V	16A/16A	20A/20A	25A/25A	32A/32A	40A/40A	63A/63A	80A/80A	100A/100A	100A/100A	125A/125A
	500V					32A/40A	40A/63A	63A/80A	63A/80A	80A/100A	100A/125A
	690V										
IEC rated operational current Ie AC-23A/B	415V	16A/16A	20A/20A	25A/25A	32A/32A	40A/40A	63A/63A	80A/80A	80A/80A	100A/100A	125A/125A
	500V				25A/25A			63A/63A		80A/80A	100A/100A
	690V							40A/40A		63/63A	63A/63A
IEC rated operational current Ie DC-21B	110VDC	16A <sup>①</sup>	20A <sup>①</sup>	25A <sup>①</sup>	32A <sup>①</sup>	40A <sup>①</sup>	63A <sup>①</sup>	80A <sup>①</sup>	80A <sup>①</sup>	100A <sup>①</sup>	125A <sup>①</sup>
	250VDC	16A <sup>②</sup>	20A <sup>②</sup>	25A <sup>②</sup>	32A <sup>②</sup>	40A <sup>②</sup>	63A <sup>②</sup>	80A <sup>②</sup>	80A <sup>②</sup>	100A <sup>②</sup>	125A <sup>②</sup>
	400VDC	16A <sup>③</sup>	20A <sup>③</sup>	25A <sup>③</sup>	25A <sup>③</sup>		40A <sup>③</sup>		63A <sup>③</sup>		
IEC rated operational power (3 phase) AC-23A/B	415V	7.5KW	9KW	11KW	15KW	18.5KW	30KW	37KW	45KW	55KW	
	500V										
	690V										11KW

Short circuit withstand current of fuse protection (kA rms expected value)

Fuse class	415V	16A	20A	25A	32A	40A	63A	80A	100A	125A	
Rated conditional short-circuit current	415V	50kA							25kA		

Short circuit withstand current of circuit breaker for protection, any circuit breaker that can trip within 0.3s

Rated short-time withstand current	0.3S	2.5kA	3kA	5kA	
Short circuit performance (unprotected)					
Rated short-time withstand current	1S	1.26kA		1.5kA	2.75kA
Rated short circuit making capacity		1.8kA		2.1kA	3.9kA
Cross area of terminals		1.5~16mm <sup>2</sup>		2.5~35mm <sup>2</sup>	10~70mm <sup>2</sup>
Rated insulation voltage Ui		800V			
Rated impulse withstand voltage Uimp		8kV			
Mechanical Endurance		100000			
Ambient Temperature		Operating -25...+55°C		Storage -40...+70°C	

① Each pole is used as positive and negative ② Three poles are used in series with positive and negative poles, of which two poles are in series, and the other is negative ③ four poles are used in series with positive and negative poles

## Door lock installation



**EKD80-DC40R-BW**  
35mm

**EKD80-DC80R-BW**  
52.5mm

**EKD80-DC125R-BW**  
71.4mm

Type	3P	EKD80-DC16R-3BW	EKD80-DC20R-3BW	EKD80-DC25R-3BW	EKD80-DC32R-3BW	EKD80-DC40R-3BW	EKD80-DC63R-3BW	EKD80-DC80R-3BW	EKD80-DC80HR-3BW	EKD80-DC100R-3BW	EKD80-DC125R-3BW
	4P	EKD80-DC16R-4BW	EKD80-DC20R-4BW	EKD80-DC25R-4BW	EKD80-DC32R-4BW	EKD80-DC40R-4BW	EKD80-DC63R-4BW	EKD80-DC80R-4BW	EKD80-DC80HR-4BW	EKD80-DC100R-4BW	EKD80-DC125R-4BW
Current Agreed heating current (≤40°C)		16A	20A	25A	32A	40A	63A	80A	100A	100A	125A
IEC rated operational current Ie AC-21A/B(≤690V)		16A/16A	20A/20A	25A/25A	32A/32A	40A/40A	63A/63A	80A/80A	100A/100A	100A/100A	125A/125A
IEC rated operational current Ie AC-22A/B	415V										
	500V	16A/16A	20A/20A	25A/25A	32A/32A	40A/40A	63A/63A	80A/80A	100A/100A	100A/100A	125A/125A
	690V					32A/40A	40A/63A	63A/80A	63A/80A	80A/100A	100A/125A
IEC rated operational current Ie AC-23A/B	415V				32A/32A	40A/40A	63A/63A	80A/80A	80A/80A	100A/100A	125A/125A
	500V	16A/16A	20A/20A	25A/25A	25A/25A			63A/63A		80A/80A	100A/100A
	690V						40A/40A		63/63A	63A/63A	
IEC rated operational current Ie DC-21B	110VDC	16A <sup>①</sup>	20A <sup>①</sup>	25A <sup>①</sup>	32A <sup>①</sup>	40A <sup>①</sup>	63A <sup>①</sup>	80A <sup>①</sup>	80A <sup>①</sup>	100A <sup>①</sup>	125A <sup>①</sup>
	250VDC	16A <sup>②</sup>	20A <sup>②</sup>	25A <sup>②</sup>	32A <sup>②</sup>	40A <sup>②</sup>	63A <sup>②</sup>	80A <sup>②</sup>	80A <sup>②</sup>	100A <sup>②</sup>	125A <sup>②</sup>
	400VDC	16A <sup>③</sup>	20A <sup>③</sup>	25A <sup>③</sup>	25A <sup>③</sup>		40A <sup>③</sup>		63A <sup>③</sup>		
IEC rated operational power (3 phase) AC-23A/B	415V										
	500V	7.5KW	9KW	11KW	15KW	18.5KW	30KW	37KW	45KW		55KW
	690V		11KW	15KW							

Short circuit withstand current of fuse protection (kA rms expected value)

Fuse class	415V	16A	20A	25A	32A	40A	63A	80A	100A	125A	
Rated conditional short-circuit current	415V	50kA							25kA		

Short circuit withstand current of circuit breaker for protection, any circuit breaker that can trip within 0.3s

Rated short-time withstand current	0.3S	2.5kA					3kA		5kA	
---------------------------------------	------	-------	--	--	--	--	-----	--	-----	--

Short circuit performance (unprotected)

Rated short-time withstand current	1S	1.26kA					1.5kA		2.75kA	
Rated short circuit making capacity		1.8kA					2.1kA		3.9kA	

Cross area of terminals	1.5~16mm <sup>2</sup>					2.5~35mm <sup>2</sup>		10~70mm <sup>2</sup>		
-------------------------	-----------------------	--	--	--	--	-----------------------	--	----------------------	--	--

Rated insulation voltage Ui	800V							
-----------------------------	------	--	--	--	--	--	--	--

Rated impulse withstand voltage Uimp	8kV							
---	-----	--	--	--	--	--	--	--

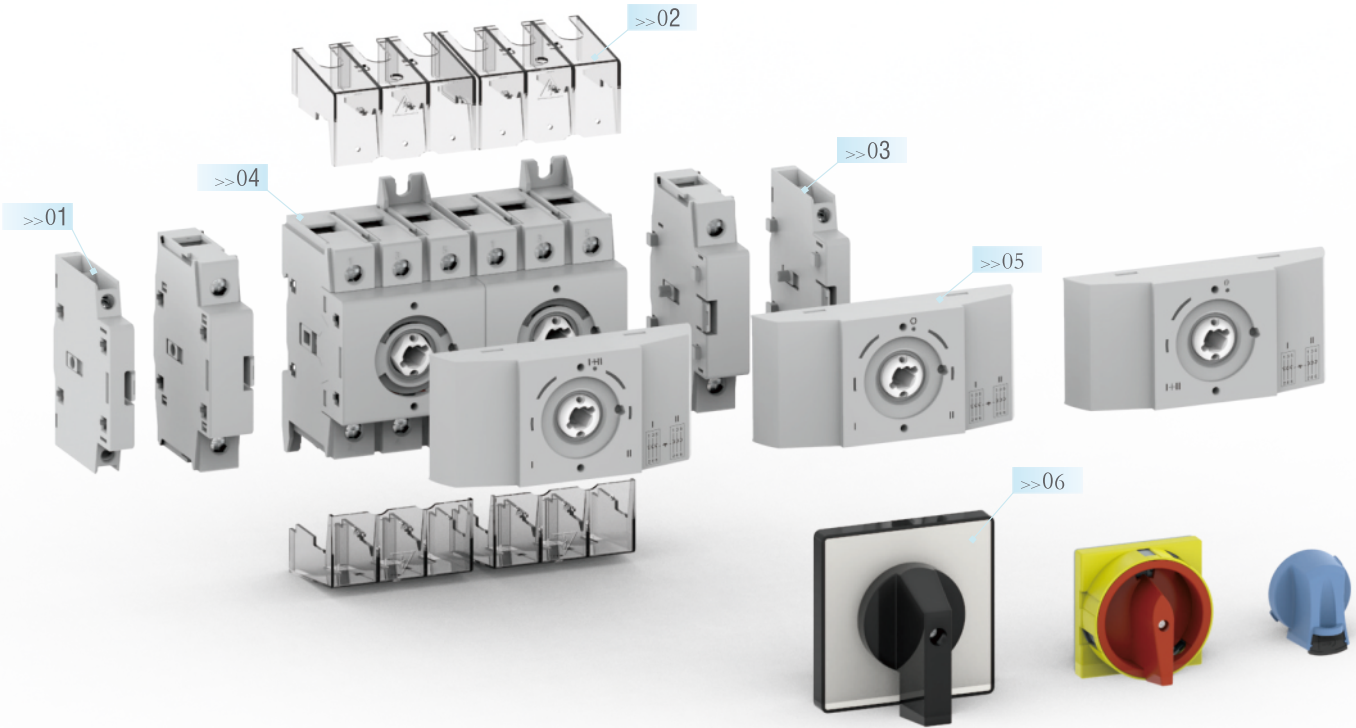
Mechanical Endurance	100000							
----------------------	--------	--	--	--	--	--	--	--

Ambient Temperature	Operating -25...+55°C				Storage -40...+70°C			
---------------------	-----------------------	--	--	--	---------------------	--	--	--

- ① Each pole is used as positive and negative    ② Three poles are used in series with positive and negative poles, of which two poles are in series, and the other is negative    ③ four poles are used in series with positive and negative poles

### Mechanical combination system

Mounting and removal of the fourth pole and auxiliary contact are quick and simple without tools.



#### 01 Add-on Auxiliary Contacts

The isolating switch adopts the same auxiliary contact, and the auxiliary contact and the main pole of the switch act at the same time. A normally open contact with pre-disconnect function can be provided as required. The isolation switch can be installed with up to four auxiliary accessories (about 2 and 2 on the left)

#### 02 Terminal cover

The isolation switch terminal cover has a simple appearance design, high-quality transparent PC material, flame-retardant, high strength, no color change after long-term use, high-quality waterproof and easy to install.

#### 03 Side Mount Add-on Fourth Pole

Simultaneous or early contact operation of the fourth pole with respect to the switch disconnecter poles.

#### 04 Switch body

The switch adopts compression contact opening and closing technology, and has the function of complete disconnection indication. According to its mechanical principle, this switch can work normally in any position, without having to consider the problem of dropping passengers.

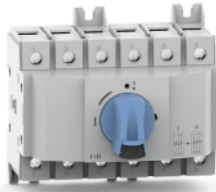
#### 05 Mechanical interlocking mechanism

The interior is made of high-conductivity nickel-phosphorus copper, which has good conductivity and longer service life. The shell is made of high-strength flame-retardant PC material, which is fire-resistant and flame-retardant, in one step!

#### 06 Rotating Handle

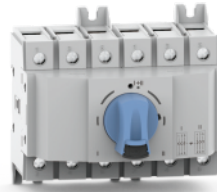
Rotating handle, with anti-misoperation padlock design to prevent misoperation, safe and reliable; using high-quality flame-retardant materials, insulation and impact resistance; elegant and stylish design, beautiful and durable.

### Rail installation method



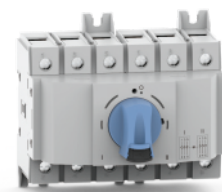
**EKD80-DB80R-IM2**  
35mm

Mechanical combination system: for 6/8



**EKD80-DB80R-IM31**  
52.5mm

Mechanical interlock mechanism: for 3/4 pole I-I -I+II -II-II conversion



**EKD80-DB80R-IM32**  
71.4mm

Mechanical interlock mechanism: for 3/4 pole I-O-II conversion

Type	3P	EKD80-DB63R-6R-IM2	EKD80-DB80R-6R-IM2	EKD80-DB100R-6R-IM2	EKD80-DB63R-3R-IM31	EKD80-DB80R-3R-IM31	EKD80-DB100R-3R-IM31	EKD80-DB63R-3R-IM32	EKD80-DB80R-3R-IM32	EKD80-DB100R-3R-IM32
	4P	EKD80-DB63R-8R-IM2	EKD80-DB80R-8R-IM2	EKD80-DB100R-8R-IM2	EKD80-DB63R-4R-IM31	EKD80-DB80R-4R-IM31	EKD80-DB100R-4R-IM31	EKD80-DB63R-4R-IM32	EKD80-DB80R-4R-IM32	EKD80-DB100R-4R-IM32
Current Agreed heating current (≤40°C)		63A	80A	100A	63A	80A	100A	63A	80A	100A
IEC rated operational current Ie AC-22A/B (≤690V)		63A/63A	80A/80A	100A/100A	63A/63A	80A/80A	100A/100A	63A/63A	80A/80A	100A/100A
IEC rated operational current Ie AC-22A/B	415V	63A/63A	80A/80A	100A/100A	63A/63A	80A/80A	100A/100A	63A/63A	80A/80A	100A/100A
	500V	63A/63A	80A/80A	100A/100A	63A/63A	80A/80A	100A/100A	63A/63A	80A/80A	100A/100A
	690V	40A/63A	63A/80A	63A/80A	40A/63A	63A/80A	63A/80A	40A/63A	63A/80A	63A/80A
IEC rated operational current Ie AC-23A/B	415V	63A/63A	80A/80A	80A/80A	63A/63A	80A/80A	80A/80A	63A/63A	80A/80A	80A/80A
	500V	63A/63A			63A/63A			63A/63A		
	690V	40A/40A			40A/40A			40A/40A		
IEC rated operational current Ie DC-21B	110VDC	63A <sup>①</sup>	80A <sup>①</sup>	100A <sup>①</sup>	63A <sup>①</sup>	80A <sup>①</sup>	100A <sup>①</sup>	63A <sup>①</sup>	80A <sup>①</sup>	100A <sup>①</sup>
	250VDC	63A <sup>②</sup>	80A <sup>②</sup>	100A <sup>②</sup>	63A <sup>②</sup>	80A <sup>②</sup>	100A <sup>②</sup>	63A <sup>②</sup>	80A <sup>②</sup>	100A <sup>②</sup>
	400VDC	40A <sup>③</sup>			40A <sup>③</sup>			40A <sup>③</sup>		
IEC rated operational power (3 phase) AC-23A/B	415V									
	500V	30KW	37KW	45KW	30KW	37KW	45KW	30KW	37KW	45KW
	690V									

Short circuit withstand current of fuse protection (kA rms expected value)

Fuse class	415V	63A	80A	100A	63A	80A	100A	63A	80A	100A
Rated conditional short-circuit current	415V	50kA								

Short circuit withstand current of circuit breaker for protection, any circuit breaker that can trip within 0.3s

Rated short-time withstand current	0.3S	3kA								
------------------------------------	------	-----	--	--	--	--	--	--	--	--

Short circuit performance (unprotected)

Rated short-time withstand current	1S	1.5kA								
Rated short circuit making capacity		2.1kA								
Cross area of terminals		2.5~35mm <sup>2</sup>								
Rated insulation voltage Ui		800V								
Rated impulse withstand voltage Uimp		8kV								
Mechanical Endurance		100000								

Ambient Temperature Operating -25...+55°C Storage -40...+70°C

- ① Each pole is used as positive and negative ② Three poles are used in series with positive and negative poles, of which two poles are in series, and the other is negative ③ four poles are used in series with positive and negative poles

## Side mount add-on poles

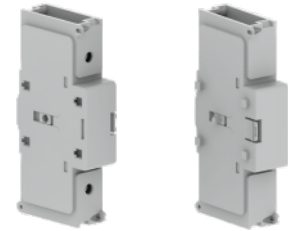
Fourth pole, simultaneous closing operation as switch poles



**EKD80-PS40  
EKD80-PSR40**



**EKD80-PS80  
EKD80-PSR80**



**EKD80-PS125  
EKD80-PSR125**

Type	EKD80-PS40	EKD80-PSR40	EKD80-PS80	EKD80-PSR80	EKD80-PS125	EKD80-PSR125
Ith	40A	40A	80A	80A	125A	125A
Width	12mm	12mm	17.5mm	17.5mm	23.8mm	23.8mm
Applied to	EKD80-16~ EKD80-40	EKD80-PM16~ EKD80-PM40	EKD80-63~ EKD80-80	EKD80-PM63~ EKD80-PM80	EKD80-100~ EKD80-125	EKD80-PM100~ EKD80-PM125
Function						

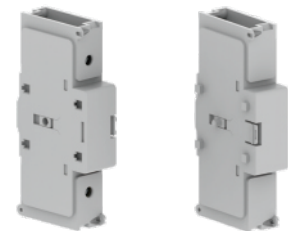
Fourth pole, early-make closing operation with respect to switch poles



**EKD80-PD40  
EKD80-PDR40**



**EKD80-PD80  
EKD80-PDR80**



**EKD80-PD125  
EKD80-PDR125**

Type	EKD80-PD40	EKD80-PDR40	EKD80-PD80	EKD80-PDR80	EKD80-PD125	EKD80-PDR125
Ith	40A	40A	80A	80A	125A	125A
Width	12mm	12mm	17.5mm	17.5mm	23.8mm	23.8mm
Applied to	EKD80-16~ EKD80-40	EKD80-PM16~ EKD80-PM40	EKD80-63~ EKD80-80	EKD80-PM63~ EKD80-PM80	EKD80-100~ EKD80-125	EKD80-PM100~ EKD80-PM125
Function						

## Side mount add-on poles

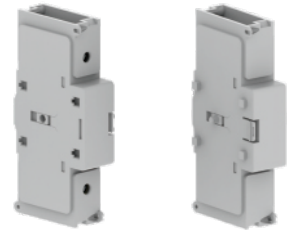
Neutral plate terminal



**EKD80-PN40**  
**EKD80-PNR40**



**EKD80-PN80**  
**EKD80-PNR80**



**EKD80-PN125**  
**EKD80-PNR125**

Type	EKD80-PN40	EKD80-PNR40	EKD80-PN80	EKD80-PNR80	EKD80-PN125	EKD80-PNR125
Ith	40A	40A	80A	80A	125A	125A
Width	12mm	12mm	17.5mm	17.5mm	23.8mm	23.8mm
Applied to	EKD80-16~ EKD80-40	EKD80-PM16~ EKD80-PM40	EKD80-63~ EKD80-80	EKD80-PM63~ EKD80-PM80	EKD80-100~ EKD80-125	EKD80-PM100~ EKD80-PM125
Function						

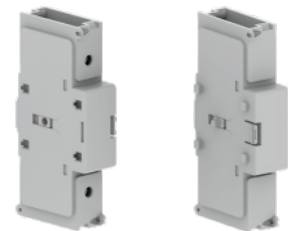
Earth/Ground Plate terminal



**EKD80-PE40**  
**EKD80-PER40**



**EKD80-PE80**  
**EKD80-PER80**



**EKD80-PE125**  
**EKD80-PER125**

Type	EKD80-PE40	EKD80-PER40	EKD80-PE80	EKD80-PER80	EKD80-PE125	EKD80-PER125
Ith	40A	40A	80A	80A	125A	125A
Width	12mm	12mm	17.5mm	17.5mm	23.8mm	23.8mm
Applied to	EKD80-16~ EKD80-40	EKD80-PM16~ EKD80-PM40	EKD80-63~ EKD80-80	EKD80-PM63~ EKD80-PM80	EKD80-100~ EKD80-125	EKD80-PM100~ EKD80-PM125
Function						



## Add-on Auxiliary Contacts

One only add-on block suitable for all the EKD80 switch disconnectors, having simultaneous operation with the switch poles, Versions available with an early-break NO contact.



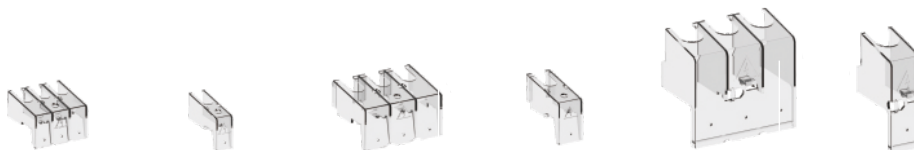
**EKD80-P1  
EKD80-P2**



**EKD80-P1R  
EKD80-P2R**

Type	EKD80-P1	EKD80-P2	EKD80-P1R	EKD80-P2R
Contacts	1NO+1NC	2NO	1NO+1NC	2NO
Width	9mm	9mm	9mm	9mm
Parameter	AC-13: 10A, 230V~ AC-15: 6A, 230V~		AC-13: 10A, 230V~ AC-15: 6A, 230V~	
Function	1NO+1NC 	2NO 	1NO+1NC 	2NO 
Description	Suitable for DB rail installation, DC door lock installation, EL external plastic box, ELA external aluminum box installation		Suitable for PM panel installation	

## Terminal cover



Type	EKD80-TS40-3	EKD80-TS40-1	EKD80-TS80-3	EKD80-TS80-1	EKD80-TS125-3	EKD80-TS125-1
Poles	3P	1P	3P	1P	3P	1P
Applied to	For the main body switch of 16A to 40A	For the fourth pole of 16A to 40A	For the main body switch of 63A to 80A	For the fourth pole of 63A to 80A	For the main body switch of 100A to 125A	For the fourth pole of 100A to 125A

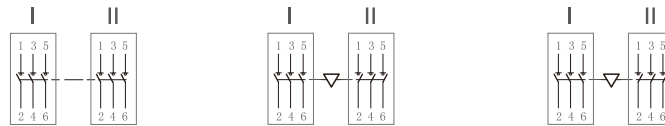
### Mechanical combination system

### Shaft extension

Mechanical interlock mechanism



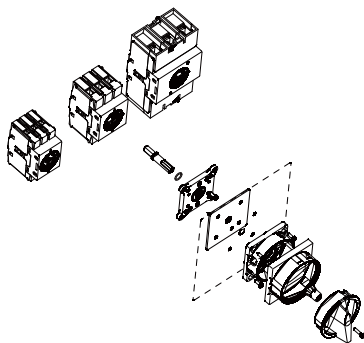
Type	EKD80IM2-80	EKD80IM31-80	EKD80IM32	EKD80-SF150	EKD80-SF200	EKD80-SF320
Applied to	For the main body switch of 63A to 80A	For the main body switch of 63A to 80A	For the main body switch of 63A to 80A	150mm	200mm	320mm
Description	Mechanical combination system: for 6/8	Mechanical interlock mechanism: for 3/4 pole I-I- I+II -II-II conversion	Mechanical interlock mechanism: for 3/4 pole I-O-II conversion			



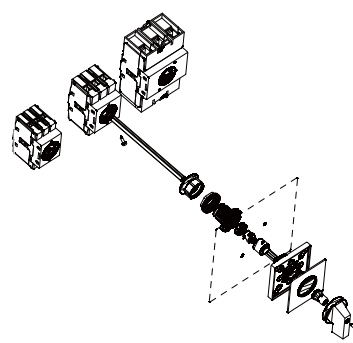
### Rotating Handle Parts



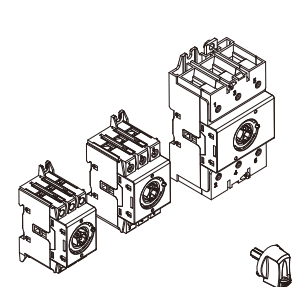
Type	EKD80-PM-BM	EKD80-PMR-RY	EKD80-PMR-BW	EKD80-DC-BW	EKD80-DCR-RY	EKD80-DCR-BW	EKD80-DBR	EKD80-DB
Fixing method	Screw	Screw	Screw	Nut/Screw	Nut/Screw	Nut/Screw	Clasp	Clasp
Size	□ 64mm	□ 65mm	□ 65mm	□ 64mm	□ 65mm	□ 65mm		
Description	For PM panel installation	For PM panel installation	For PM panel installation	For DC door lock installation	For DC door lock installation	For DC door lock installation	For DB rail installation	For DB rail installation



Installation mode of PM panel



DC door lock installation mode

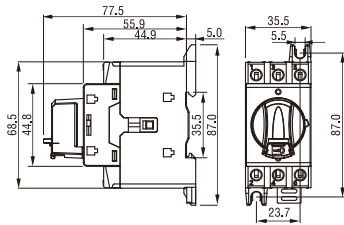


DB guide rail installation mode

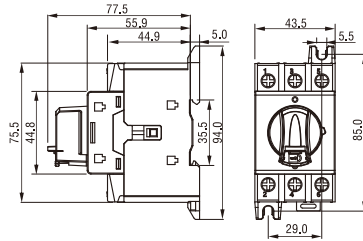
\*: R:Rotating red/yellow handle B: Rotating black handle

Overall and Installation Dimension(mm)

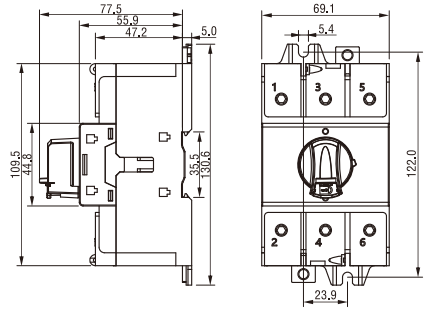
Main body switch



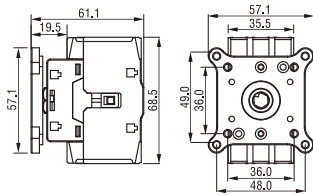
EKD80-DB16R-3 EKD80-DB32R-3  
EKD80-DB25R-3 EKD80-DB40R-3



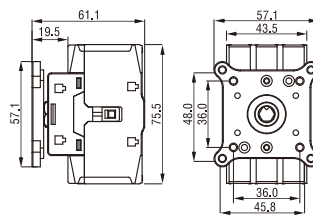
EKD80-DB63R-3  
EKD80-DB80R-3



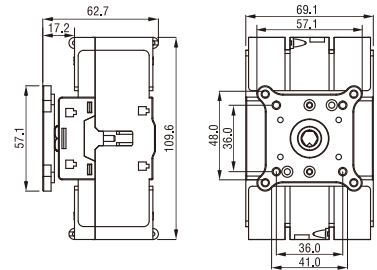
EKD80-DB100R-3  
EKD80-DB125R-3



EKD80-PM16R-3 EKD80-PM32R-3  
EKD80-PM25R-3 EKD80-PM40R-3

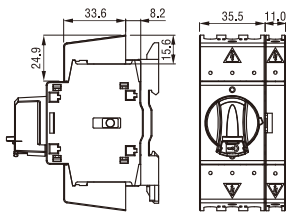


EKD80-PM63R-3  
EKD80-PM80R-3

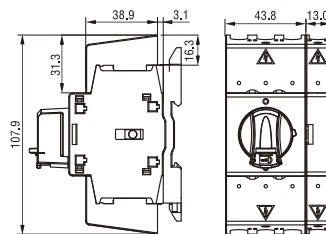


EKD80-PM100R-3  
EKD80-PM125R-3

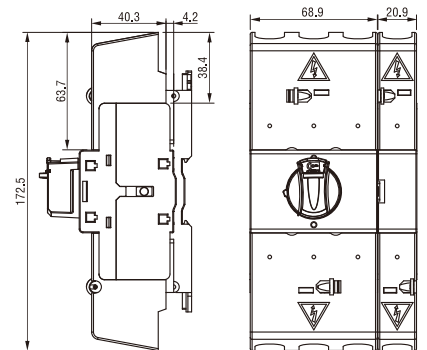
Terminal cover



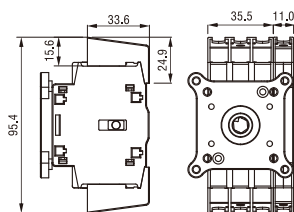
EKD80-DB16R-4 EKD80-DB32R-4  
EKD80-DB25R-4 EKD80-DB40R-4



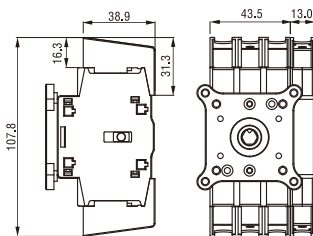
EKD80-DB63R-4  
EKD80-DB80R-4



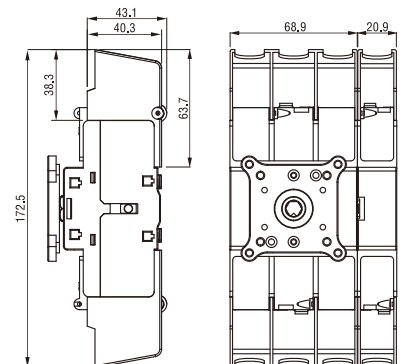
EKD80-DB100R-4  
EKD80-DB125R-4



EKD80-PM16R-4 EKD80-PM32R-4  
EKD80-PM25R-4 EKD80-PM40R-4



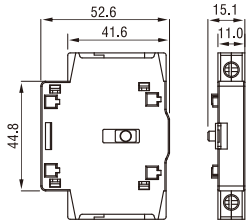
EKD80-PM63R-4  
EKD80-PM80R-4



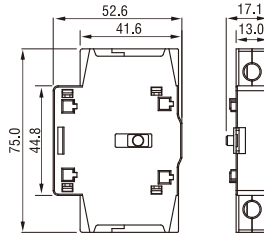
EKD80-PM100R-4  
EKD80-PM125R-4

Overall and Installation Dimension(mm)

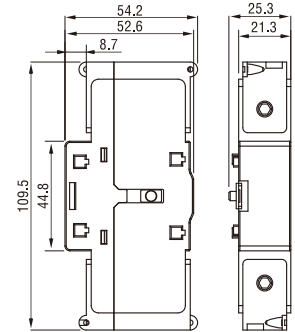
Add on pole



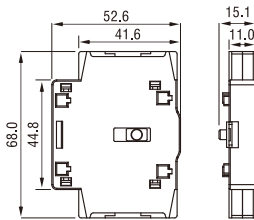
EKD80-PS40 EKD80-PN40  
EKD80-PD40 EKD80-PE40



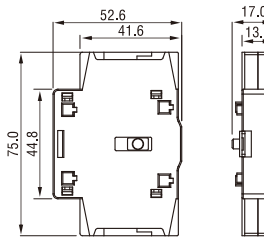
EKD80-PS80 EKD80-PN80  
EKD80-PD80 EKD80-PE80



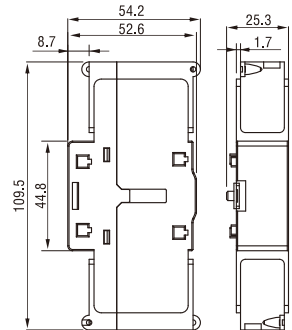
EKD80-PS125 EKD80-PN125  
EKD80-PD125 EKD80-PE125



EKD80-PSR40 EKD80-PNR40  
EKD80-PDR40 EKD80-PER40

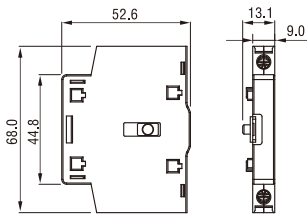


EKD80-PSR80 EKD80-PNR80  
EKD80-PDR80 EKD80-PER80

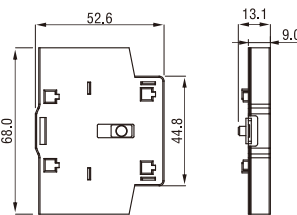


EKD80-PSR125 EKD80-PNR125  
EKD80-PDR125 EKD80-PER125

Auxiliary contact

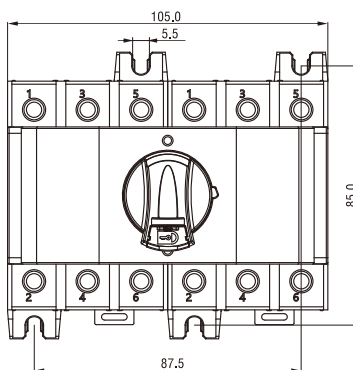
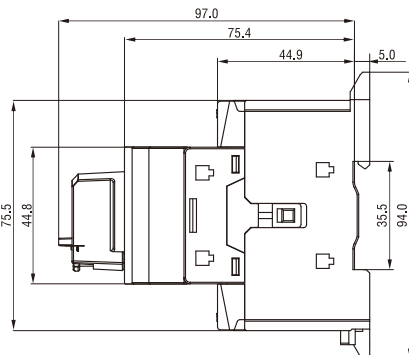


EKD80-P1  
EKD80-P2



EKD80-P1R  
EKD80-P2R

Auxiliary contact



## Advantages of plastic and aluminum box isolation switch



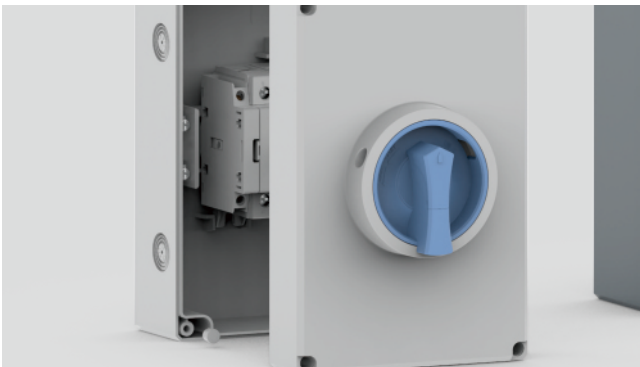
### Multiple waterproof and double protection

Full coverage package, cover plate sealed and waterproof surrounded, multiple waterproof



### Strong cold and scorching heat

Strong environmental adaptability, reliable operation even in harsh environments



### High-quality profiles, safe and reliable

Multiple detection of flame retardant materials, high temperature resistance, strong flame retardant, anti-yellowing



### Material environmental protection, protect the earth

Select environmentally friendly materials, some materials can be recycled and reused

Degree of protection: IP67 / Impact resistance: IK08  
Rated current: 16A, 25A, 32A, 40A, 63A, 80A, 100A, 125A

## External plastic box



EKD80-EL40R



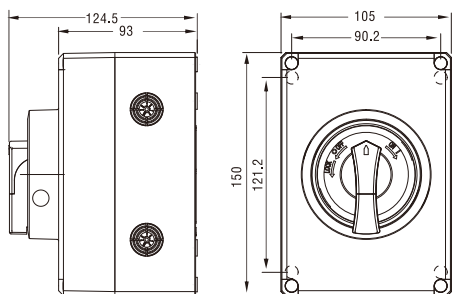
EKD80-EL80R



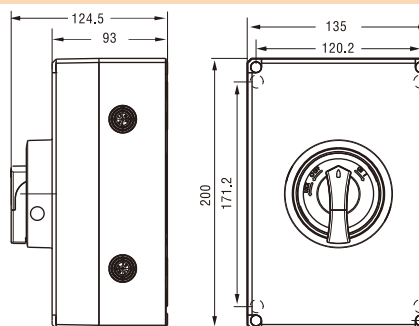
EKD80-EL125R

Type	EKD80-EL40R				EKD80-EL80R			EKD80-EL125R	
IEC Conventional free air thermal current Ith AC21A(≤690V)	16A	25A	32A	40A	63A	80A	100A	100A	125A
Components Enclosure	EKD80-EL16	EKD80-EL25	EKD80-EL32	EKD80-EL40	EKD80-EL63	EKD80-EL80	EKD80-EL80H	EKD80-EL100	EKD80-EL125

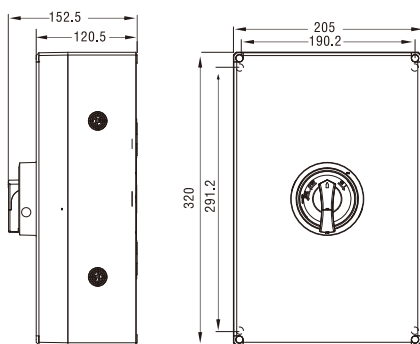
## Overall and Installation Dimension(mm)



EKD80-EL40

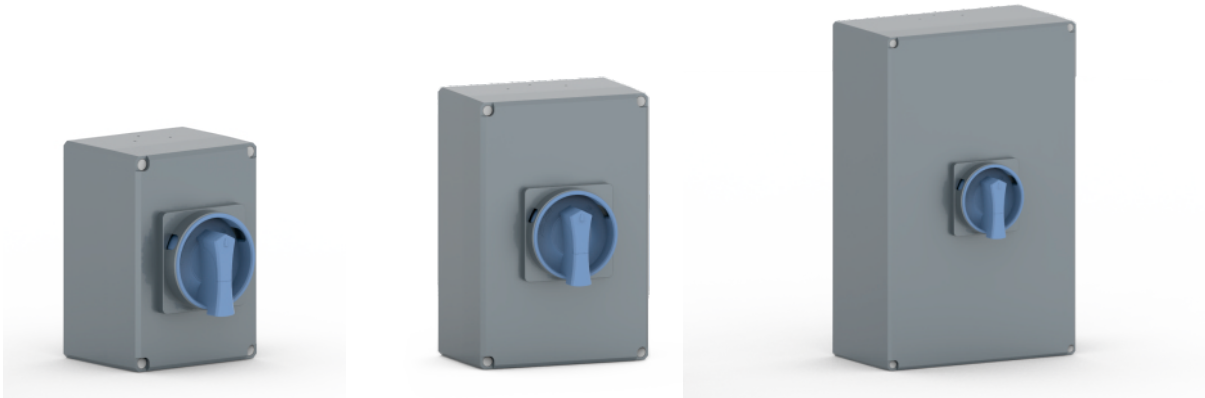


EKD80-EL80



EKD80-EL125

## External aluminum box



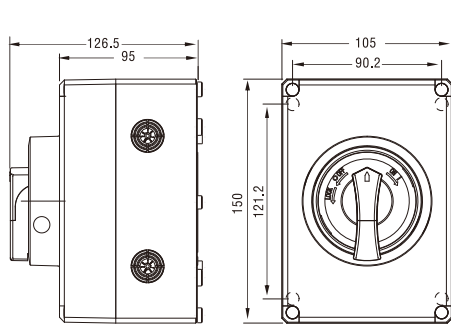
EKD80-ELA40R

EKD80-ELA80R

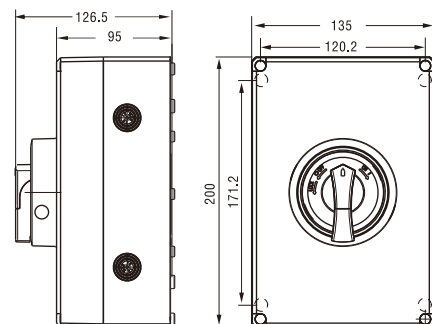
EKD80-ELA125R

Type	EKD80-EL40R				EKD80-EL80R			EKD80-EL125R	
IEC Conventional free air thermal current Ith AC21A(≤690V)	16A	25A	32A	40A	63A	80A	100A	100A	125A
Components Enclosure	EKD80- ELA16	EKD80- ELA25	EKD80- ELA32	EKD80- ELA40	EKD80- ELA63	EKD80- ELA80	EKD80- ELA80H	EKD80-100	EKD80-125

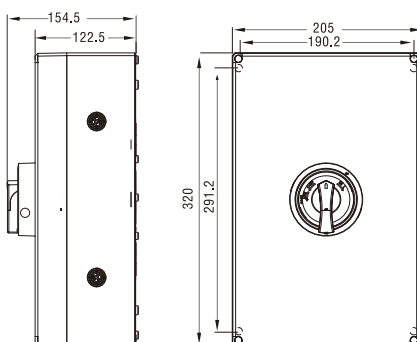
## Overall and Installation Dimension(mm)



EKD80-ELA40



EKD80-ELA80



EKD80-ELA125

Tel-  
0086-577-62718777

Fax-  
0086-577-62774090

Email-  
sales@etek-china.com

No. 288 Wei 17th Road,  
Economic Development Zone,  
Yueqing City Zhejiang China.

**ETEK**<sup>®</sup>  
E TEK ELECTRIC

ZHEJIANG ETEK  
ELECTRICAL TECHNOLOGY CO.,LTD.

